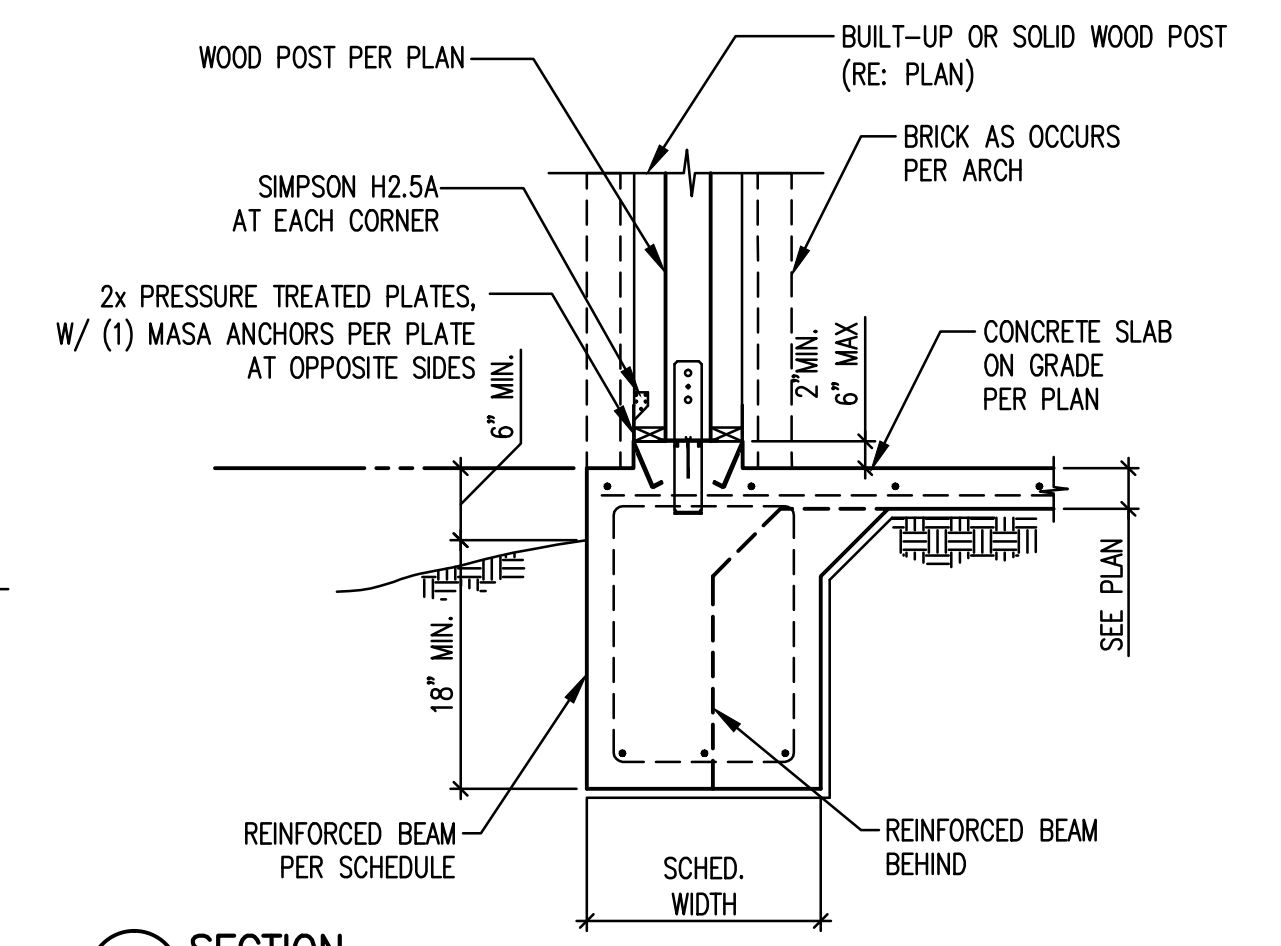
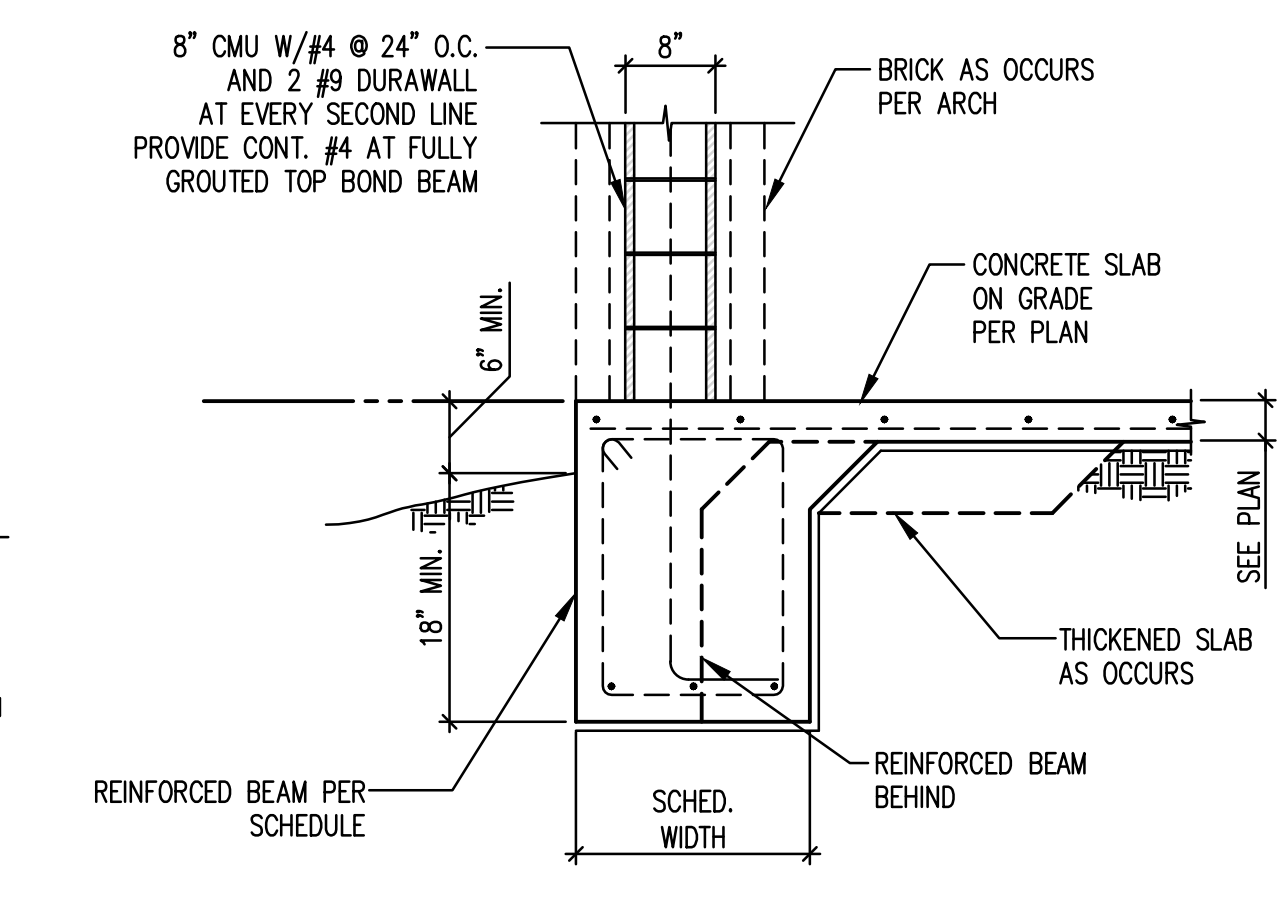


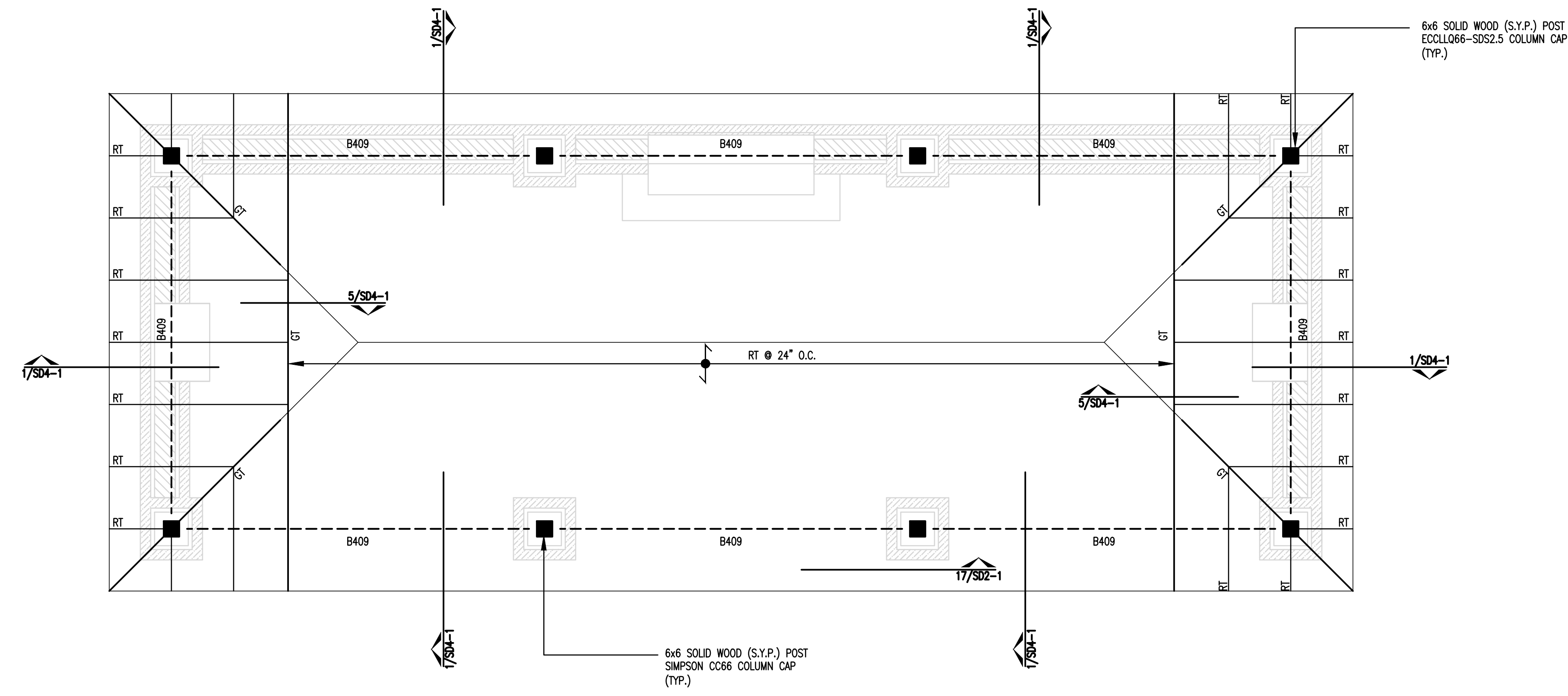
1 FOUNDATION PLAN - PAVILION
SCALE: 1/4"=1'-0"



A SECTION
SCALE: N.T.S.



B SECTION
SCALE: N.T.S.



2 ROOF PLAN - PAVILION
SCALE: 1/4"=1'-0"

GRADE BEAM SCHEDULE				
PLAN MARK	PLAN SYM.	BEAM WIDTH	BEAM DEPTH	NOTES
REINF. BEAM	RB1	20"	24"	3-#4 CONT. BOT. w/#3 TIES @18" O.C.
REINF. BEAM	RB2	12"	24"	3-#4 CONT. BOT. w/#3 TIES @18" O.C.
THICKENED SLAB	RE: PLAN	12"	12"	2-#4 BOT. CONT. w/#3 @18" O.C.

- SAWCUT NOTES**
- SAWCUTS SHALL BE LOCATED PER CODE
 - INTERMEDIATE SAWCUTS SHALL BE ADDED BETWEEN COLUMN LINES WHERE SPACING IS GREATER THAN 15 FT. LOCATE INTERMEDIATE SAW CUTS AT THE MID POINT BETWEEN GRIDLINES.
 - SAWCUTS SHALL BE 1/4" DEEP.
 - USE A DIAMOND SHAPE AROUND COLUMN.



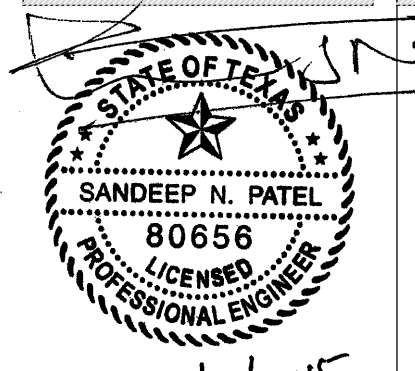
14025 West Road
Houston, Texas 77041
P:(281)583-7088 F:(281)583-5494

BELLA TERRA APARTMENTS
23703 Canal Rd, Richmond, TX 77406
A Development By: ODEN HUGHES
Architecture By: KELLY GROSSMAN ARCHITECTS

Rev.	Description
1	Date
03-11-15	

Drawn By: ET
Checked By: ZA
Drawing Scale: As Noted
Project No: 1304-012

ISSUED FOR: DATE:
 SD 30%
 CD 60%
 CD 95%
 CD 100%
 Pricing
 Bidding
 Permit
 Construction 04/07/14



03/11/2015
Texas Registered Engineering Firm
F-4163
THIS DRAWING IS PART OF A SET OF DRAWINGS FOR THIS PROJECT AND SHALL NOT BE CONSIDERED VALID UNLESS IT IS ACCOMPANIED BY THE COMPLETE SET OF DRAWINGS.
CONFIDENTIAL - TRADE SECRETS
THE INFORMATION DISCLOSED HEREIN IS PROPRIETARY WITH STERLING ENGINEERING GROUP OF COMPANIES USE AND SHOULD NOT BE REPRODUCED OR DISCLOSED WITHOUT ITS EXPRESS WRITTEN PERMISSION. THE INFORMATION HEREIN IS PART OF A PUBLIC BIDDING PROCESS. UNAUTHORIZED USE OR COPYING OF THIS OR ANY CONTENTS HEREIN IS STRICTLY PROHIBITED.