

drawn by:
L. WIGGINS
 checked by:
J. PAULSON

date:
 08.01.2014

FOR:
**ISSUE FOR
 CONSTRUCTION**

SCALE: 3/16" = 1'-0"

LANDMARK DOUBLE CREEK- PHASE II
 1900 ONION CREEK PARKWAY
 AUSTIN, TEXAS 78748

REVISIONS

CLUBHOUSE
 FINISH PLAN

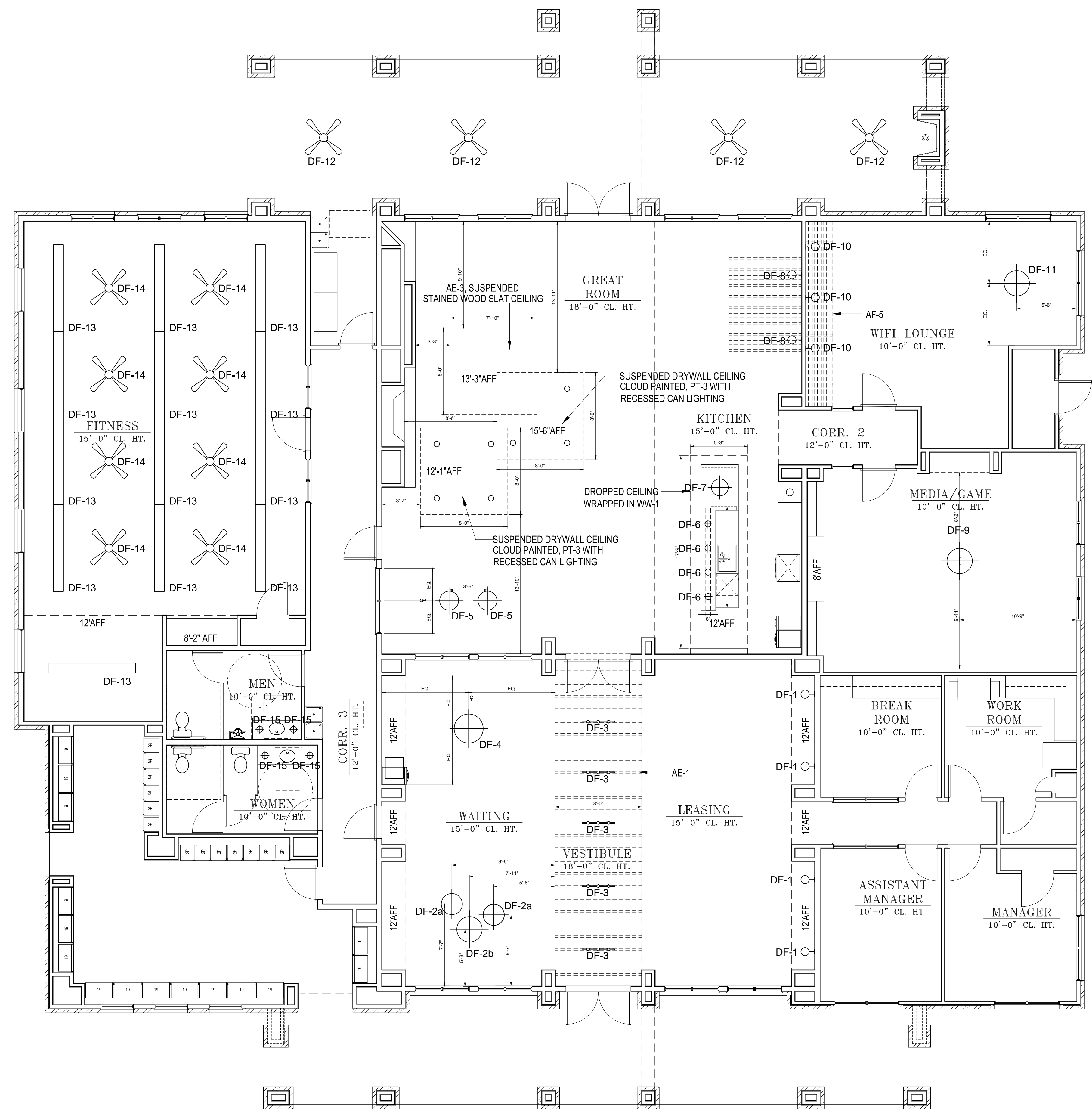
ID1.0

drawn by:
 L. WIGGINS
 checked by:
 J. PAULSON

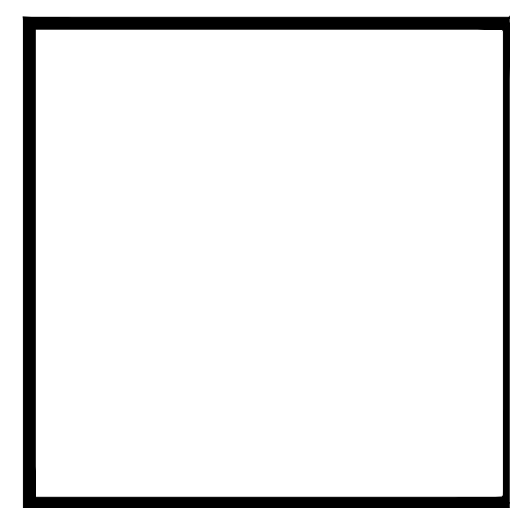
date:
 08.01.2014

FOR:
 ISSUE FOR
 CONSTRUCTION

SCALE: 3/16" = 1'-0"

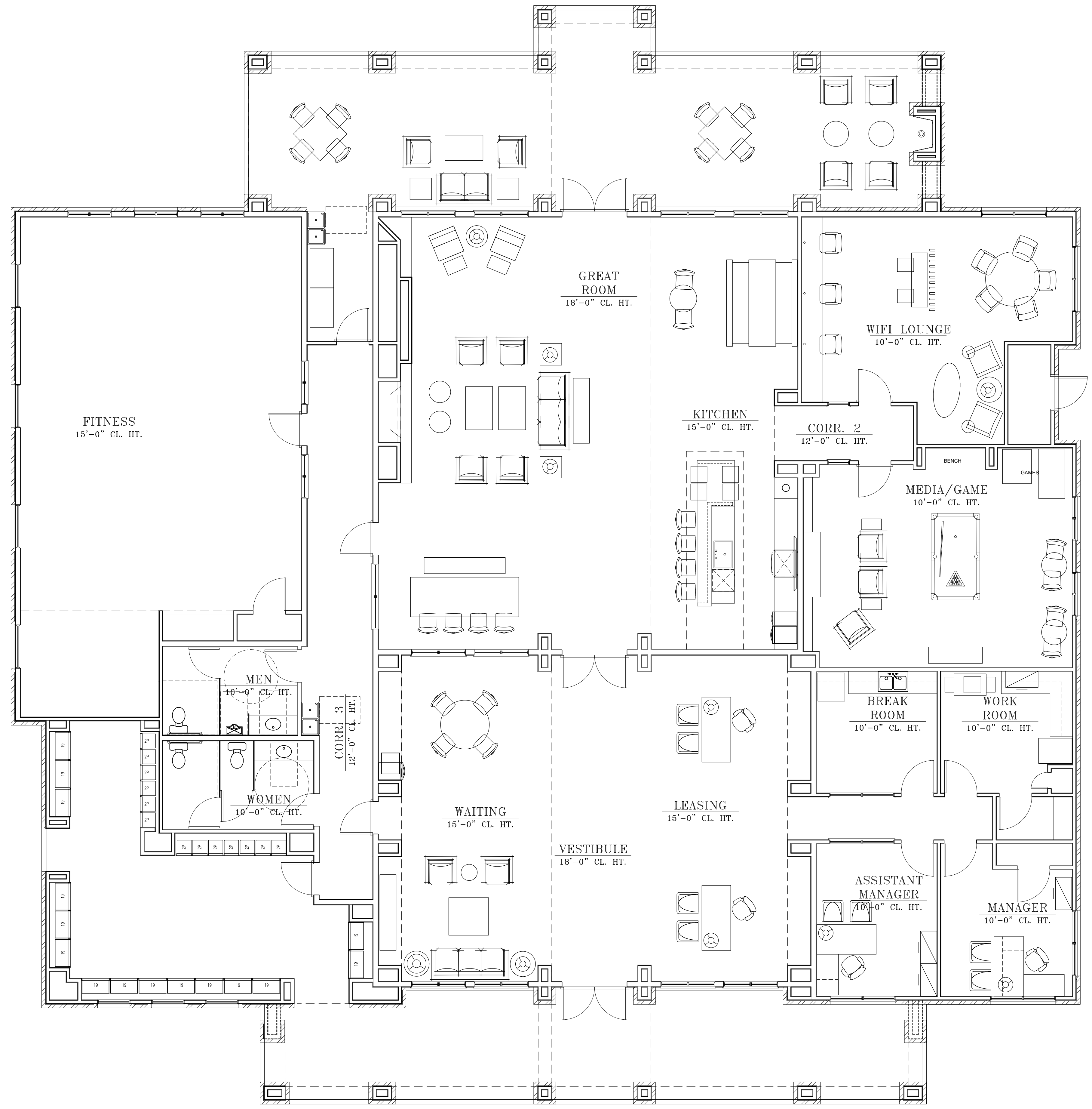


LANDMARK DOUBLE CREEK- PHASE II
 1900 ONION CREEK PARKWAY
 AUSTIN, TEXAS 78748



CLUBHOUSE
 DECORATIVE
 LIGHTING PLAN

ID2.0



[design + interiors]

1012 mopac circle, suite 200
austin, texas 78746
512.328.1883 [p]
512.328.7448 [f]
www.ppds-inc.com
www.ppds-inc.com/blog

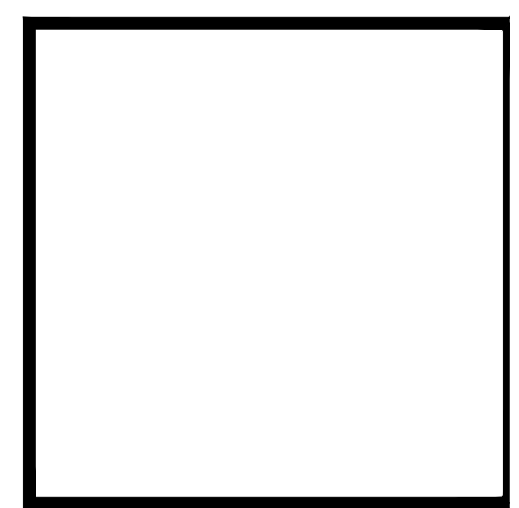
drawn by:
L. WIGGINS
checked by:
J. PAULSON

date:
08.01.2014

FOR:
ISSUE FOR
CONSTRUCTION

SCALE: 3/16" = 1'-0"

LANDMARK DOUBLE CREEK- PHASE II
1900 ONION CREEK PARKWAY
AUSTIN, TEXAS 78748



CLUBHOUSE
FURNITURE
PLAN

ID3.0

drawn by:
L. WIGGINS
 checked by:
J. PAULSON

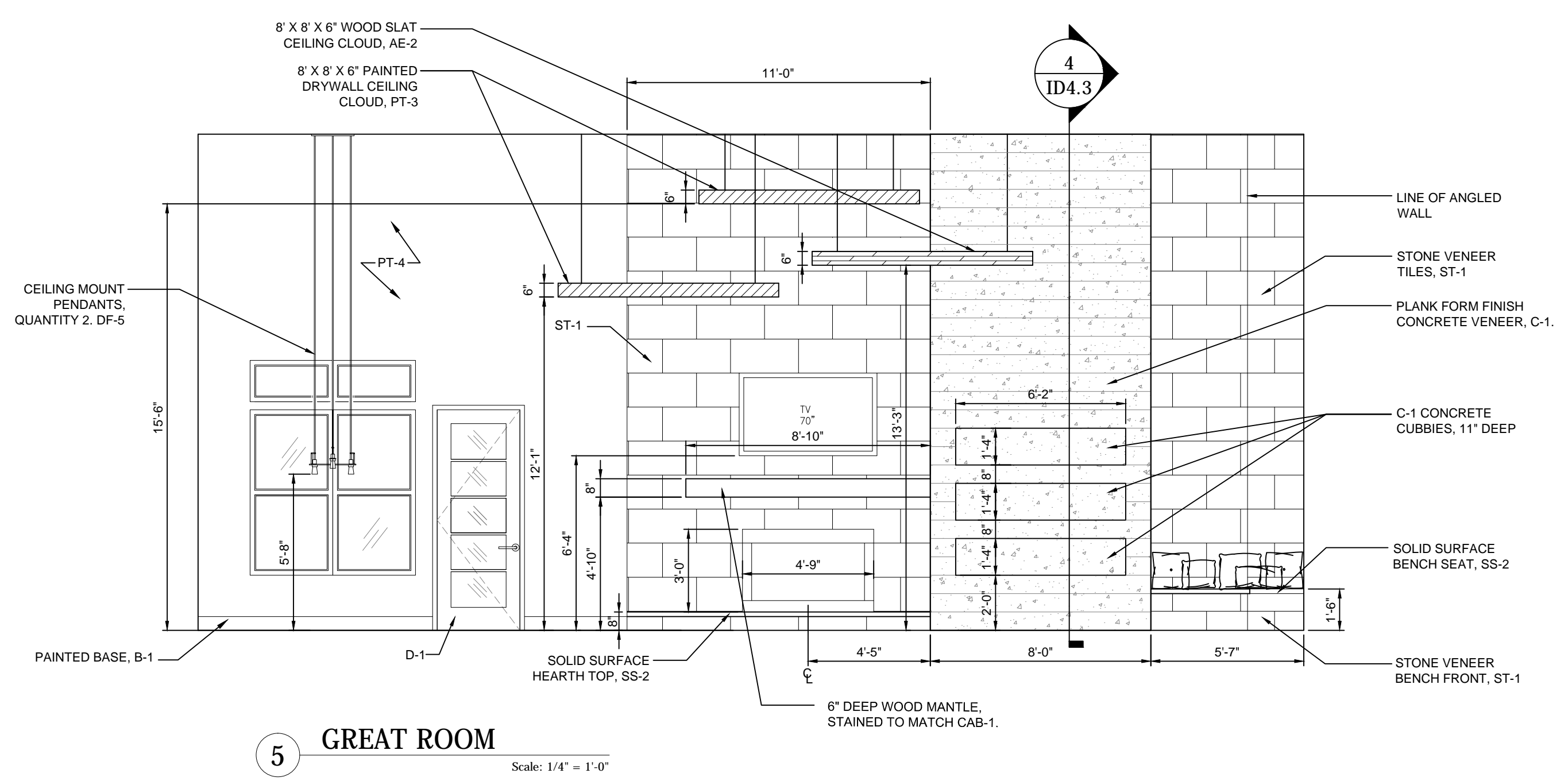
date:
 08.01.2014

FOR:
ISSUE FOR CONSTRUCTION

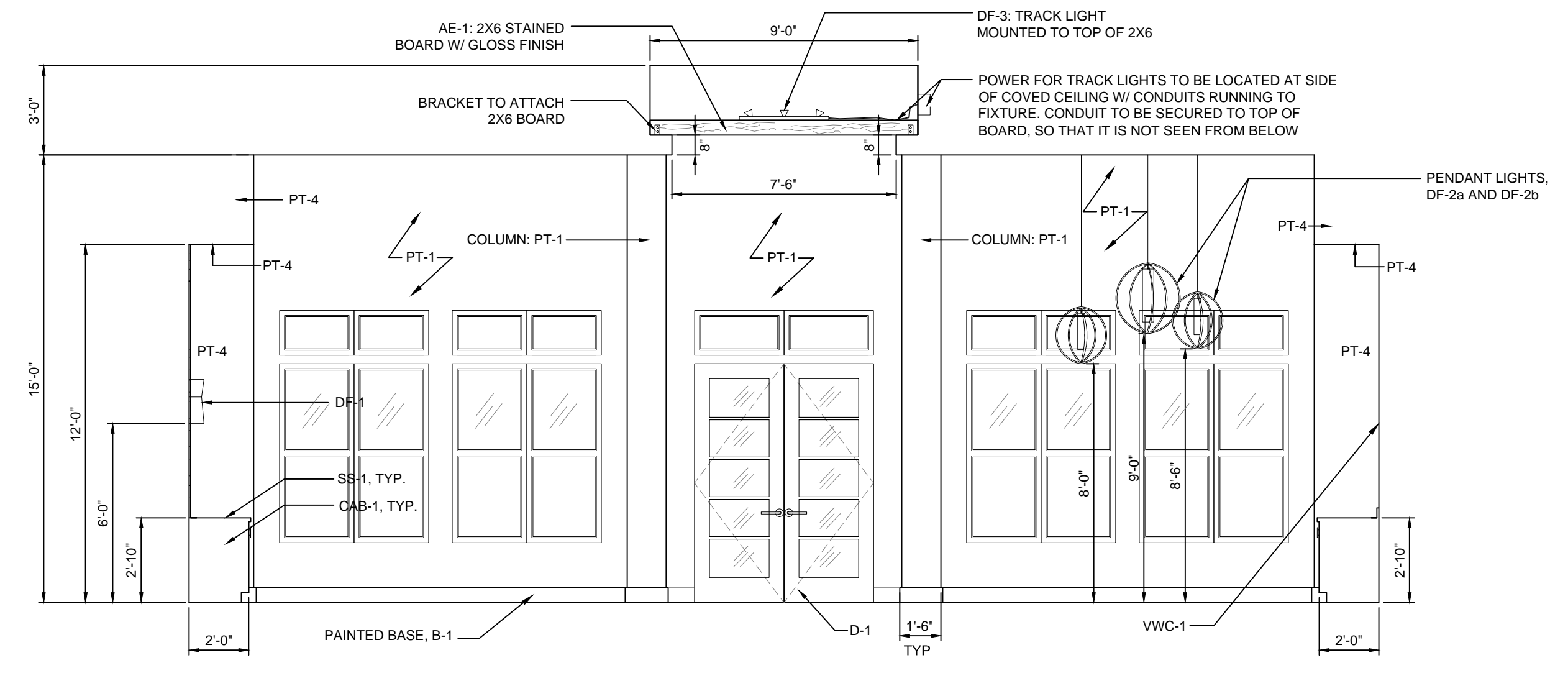
SCALE: 1/4" = 1'-0"



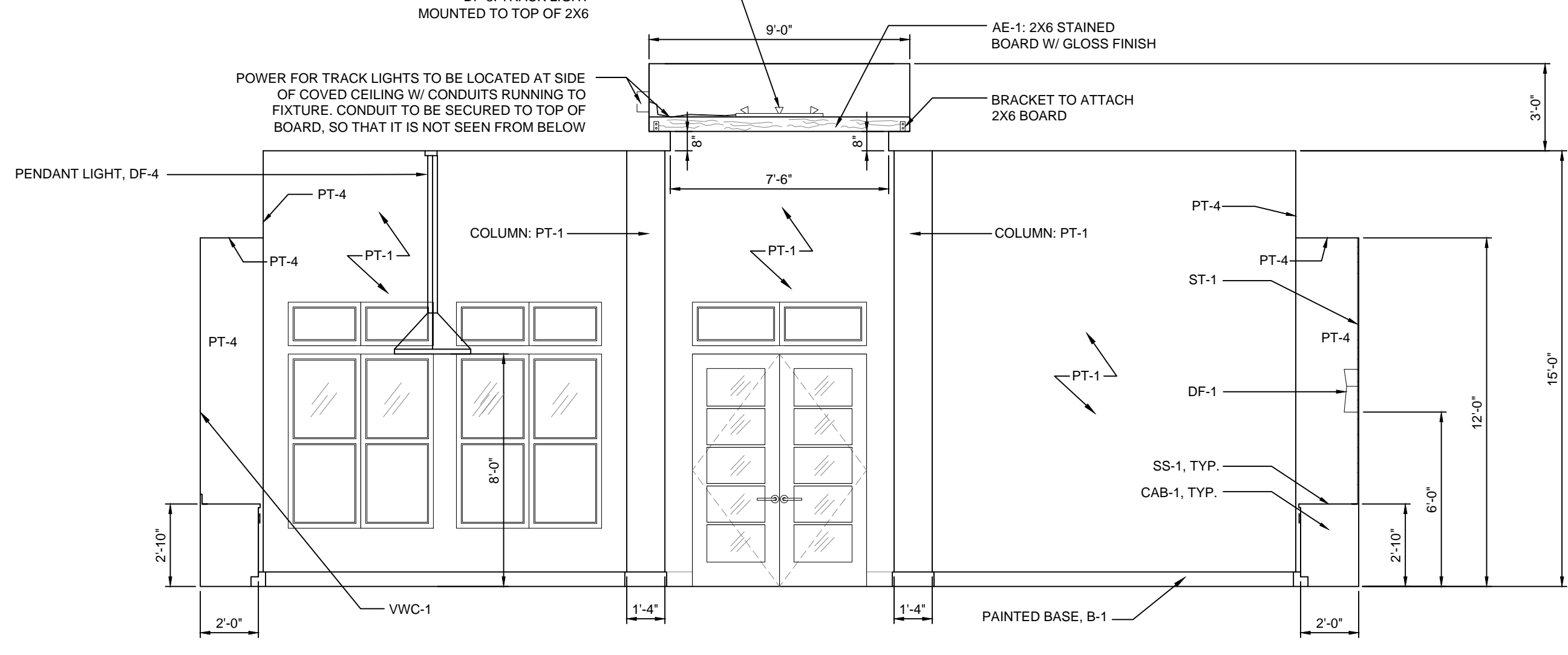
6 GREAT ROOM
 Scale: 1/4" = 1'-0"



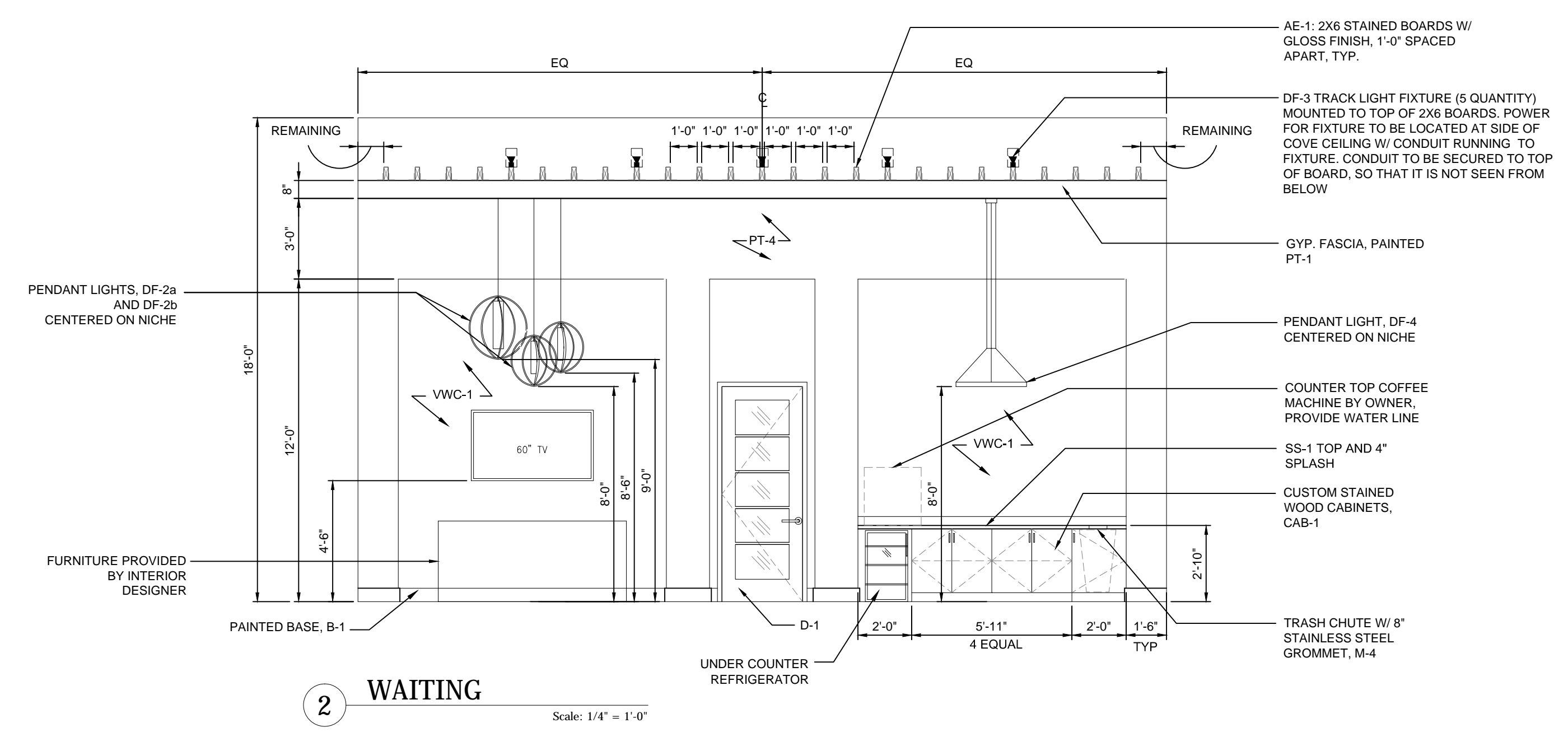
5 GREAT ROOM
 Scale: 1/4" = 1'-0"



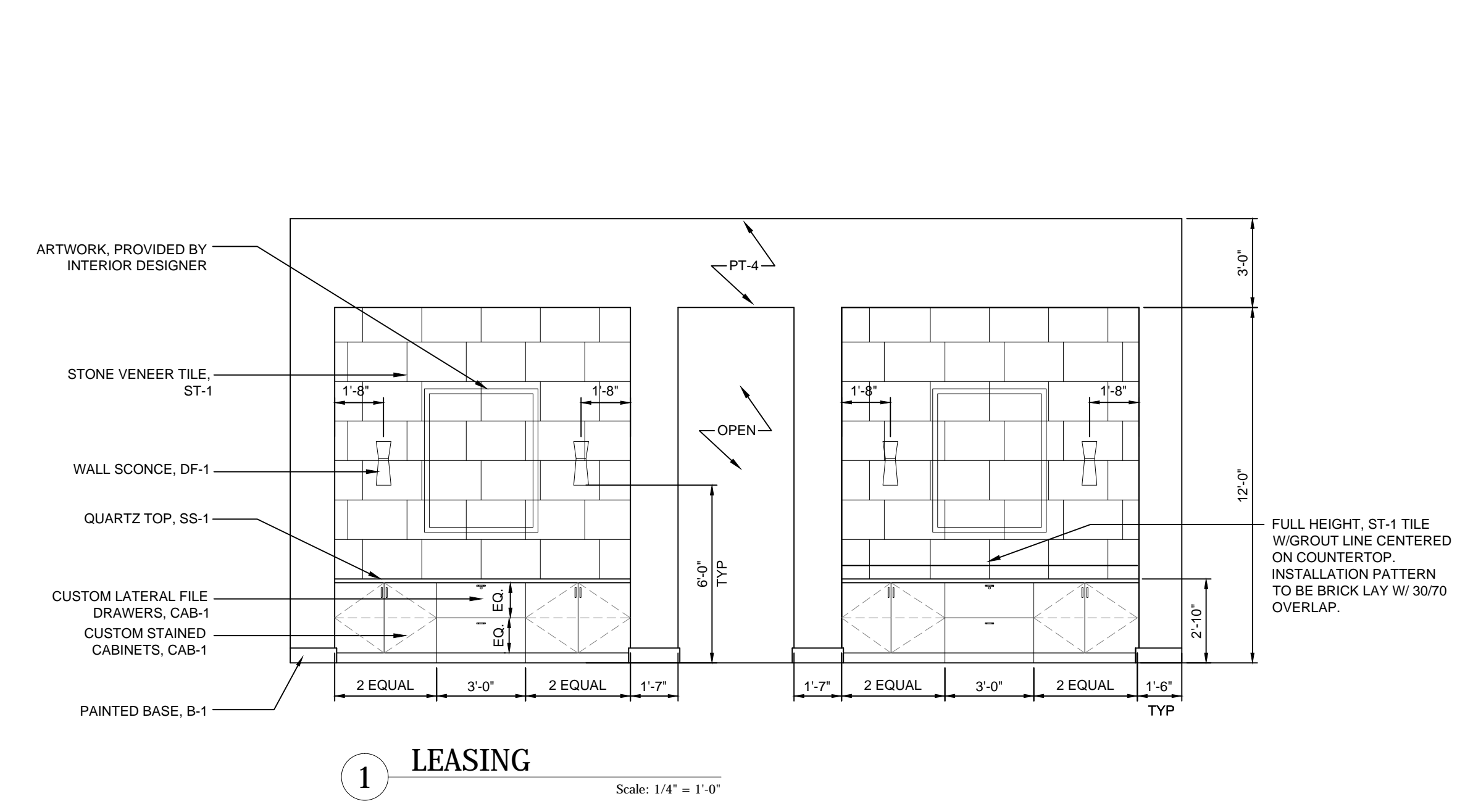
4 LEASING
 Scale: 1/4" = 1'-0"



3 LEASING
 Scale: 1/4" = 1'-0"

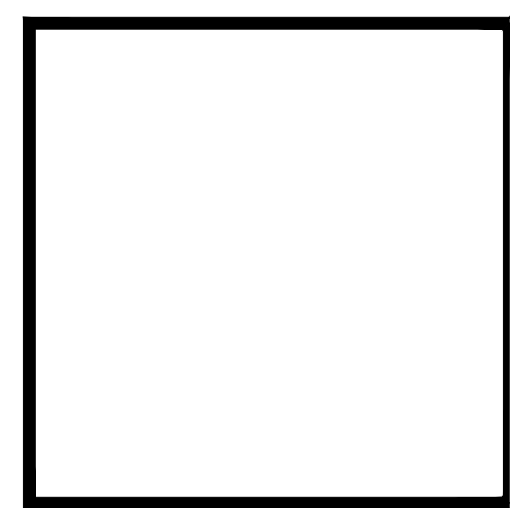


2 WAITING
 Scale: 1/4" = 1'-0"



1 LEASING
 Scale: 1/4" = 1'-0"

LANDMARK DOUBLE CREEK- PHASE II
 1900 ONION CREEK PARKWAY
 AUSTIN, TEXAS 78748



CLUBHOUSE
 DETAILS

ID4.0

drawn by:
L. WIGGINS
checked by:
J. PAULSON

date:
08.01.2014

FOR:
ISSUE FOR
CONSTRUCTION

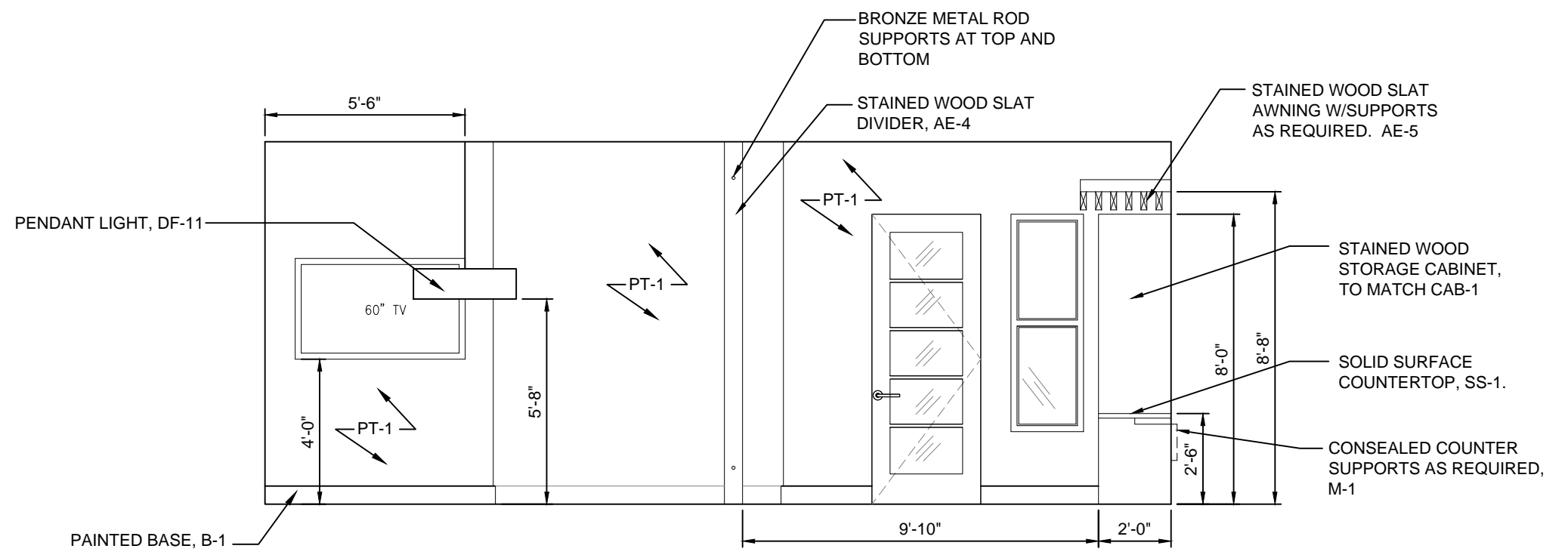
SCALE: 1/4" = 1'-0"

LANDMARK DOUBLE CREEK- PHASE II
1900 ONION CREEK PARKWAY
AUSTIN, TEXAS 78748

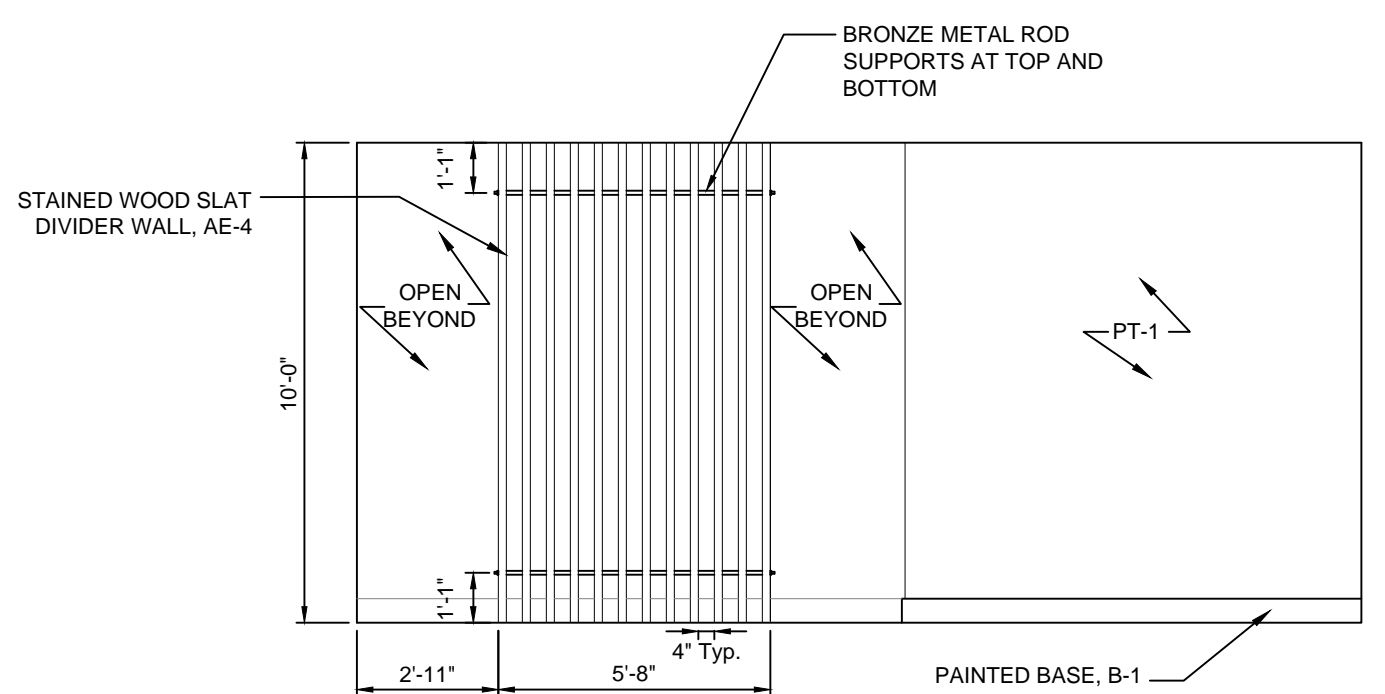


CLUBHOUSE
DETAILS

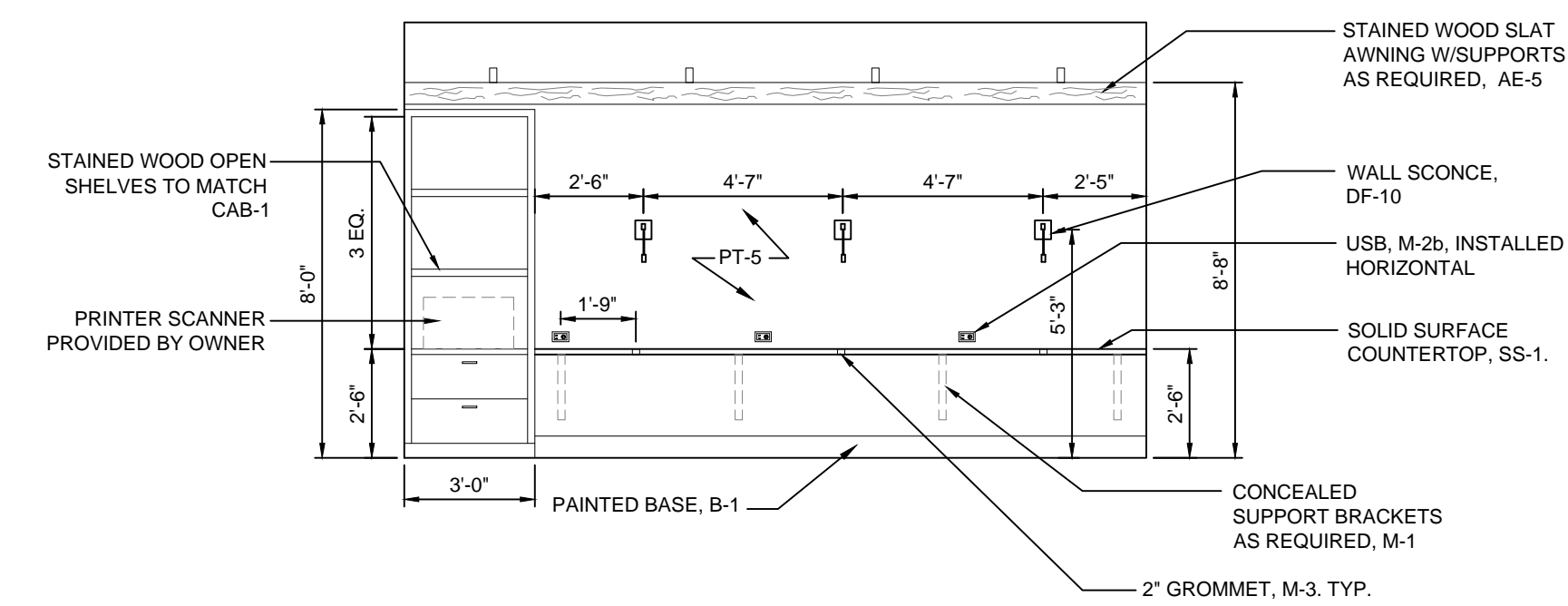
ID4.1



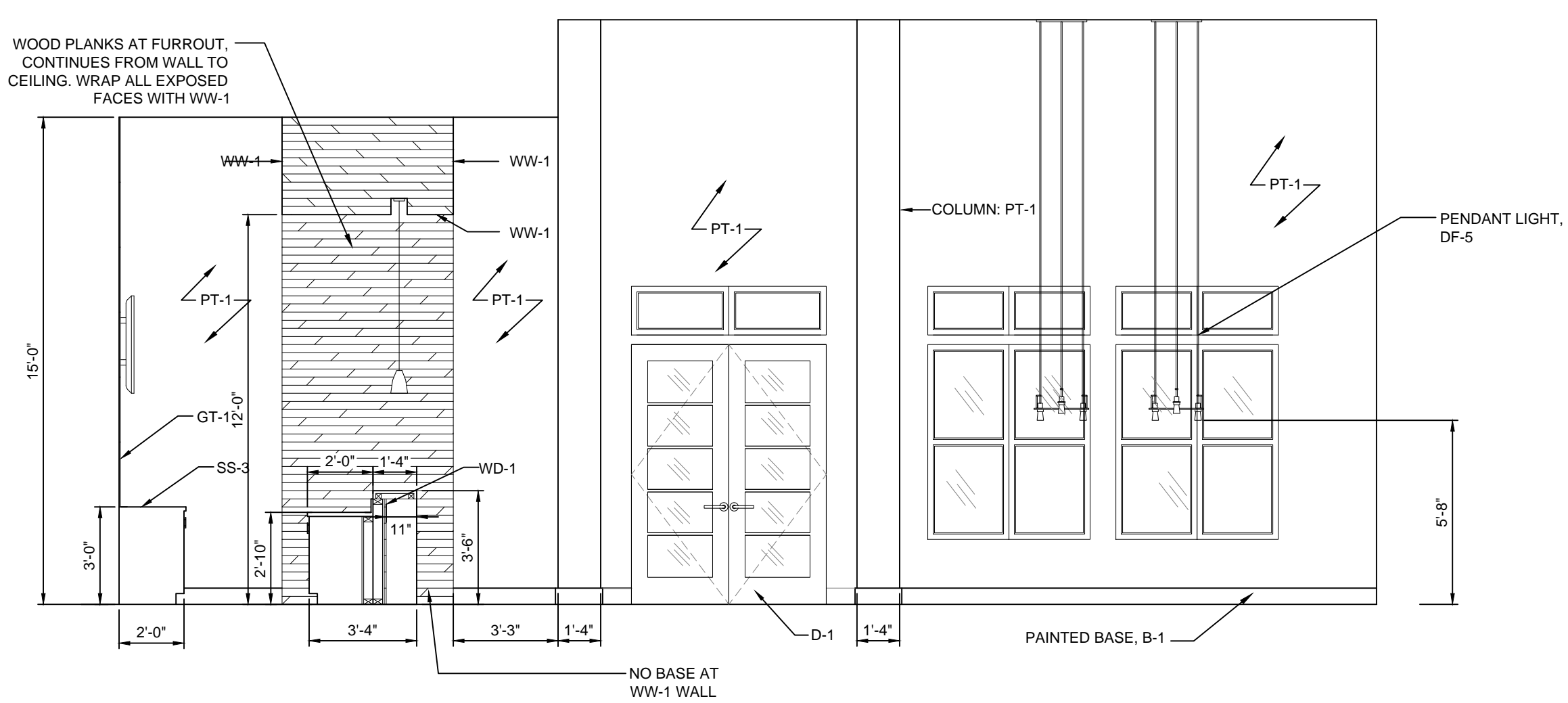
9 WIFI LOUNGE
Scale: 1/4" = 1'-0"



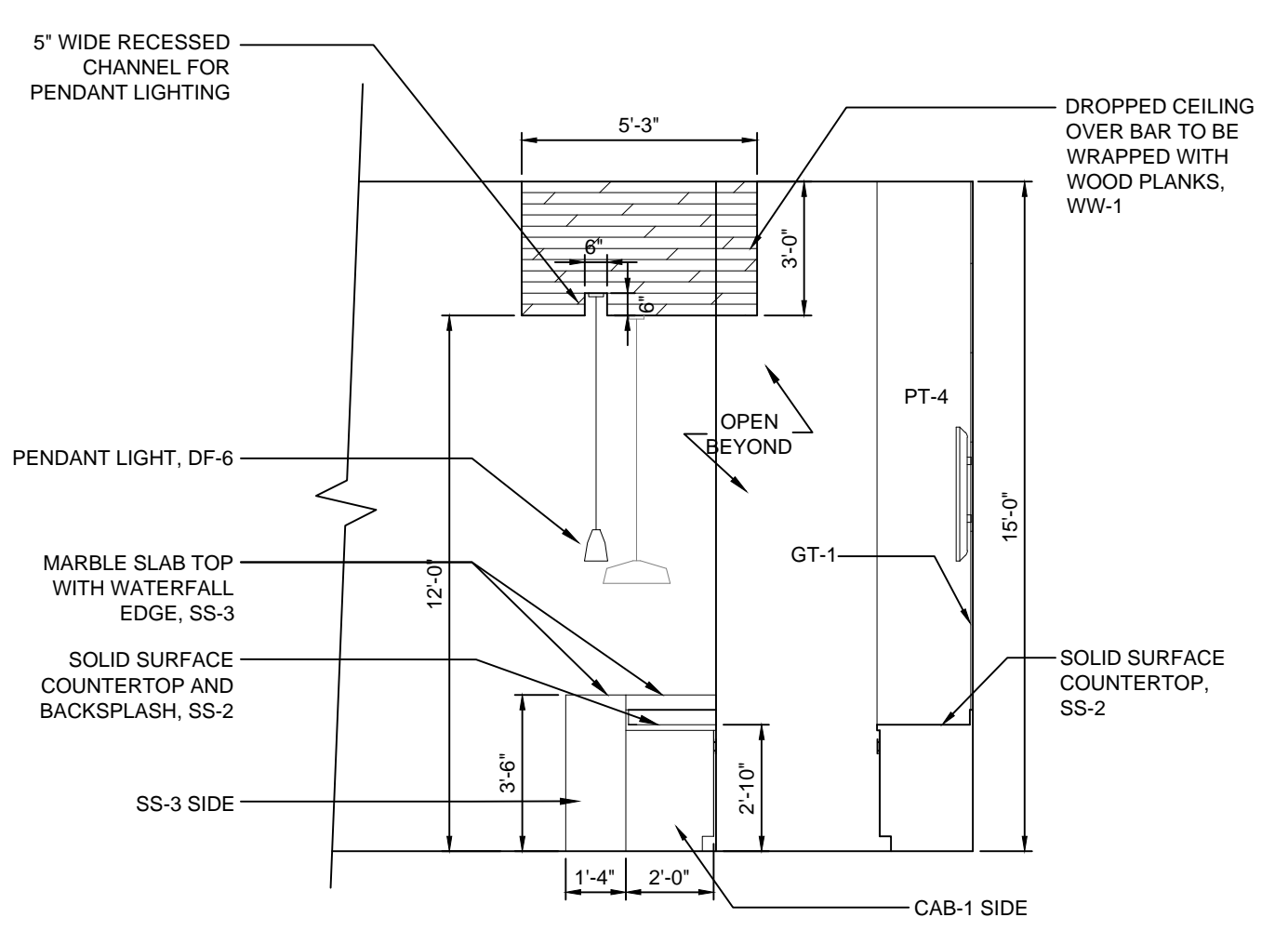
8 WIFI LOUNGE
Scale: 1/4" = 1'-0"



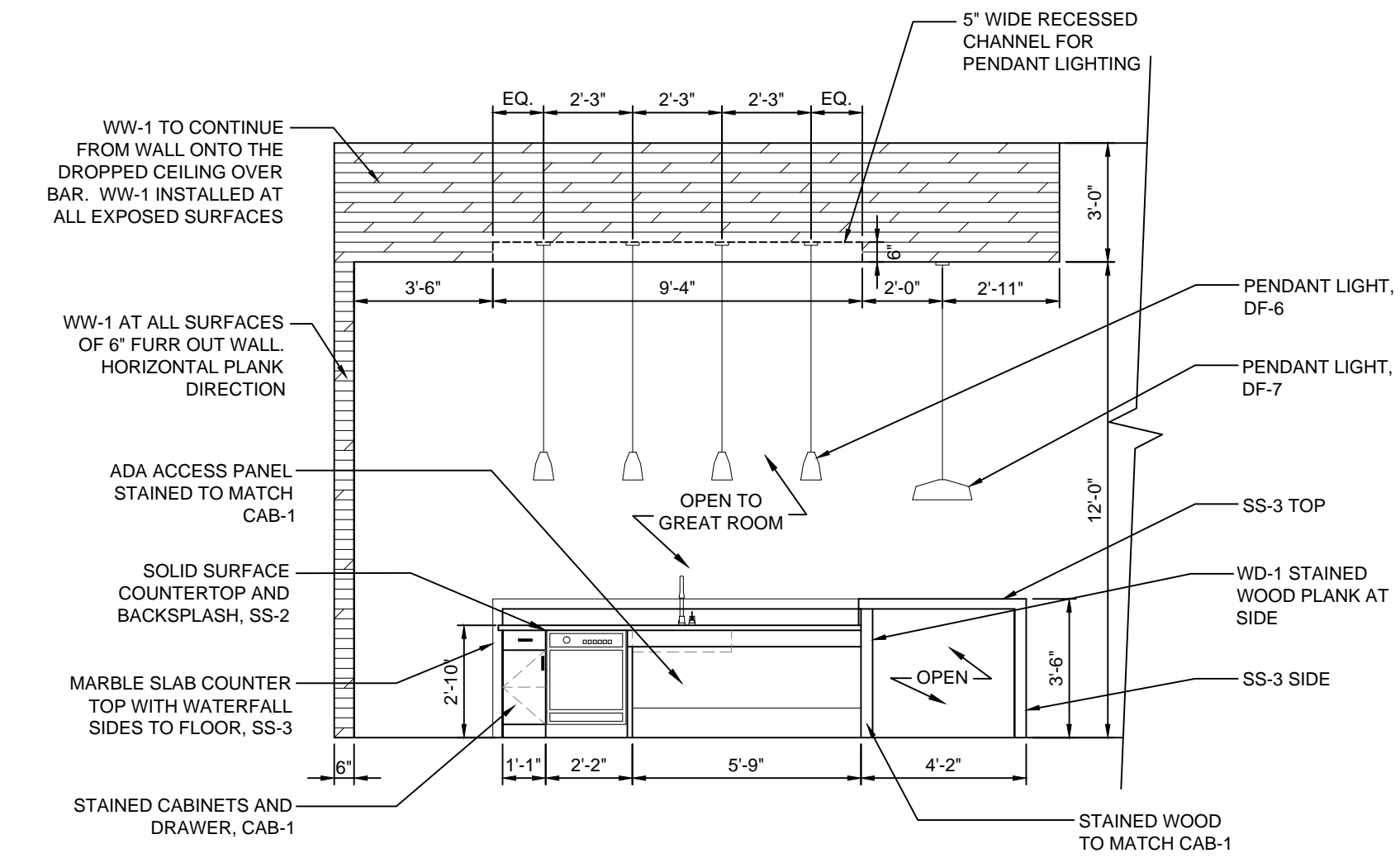
7 WIFI LOUNGE
Scale: 1/4" = 1'-0"



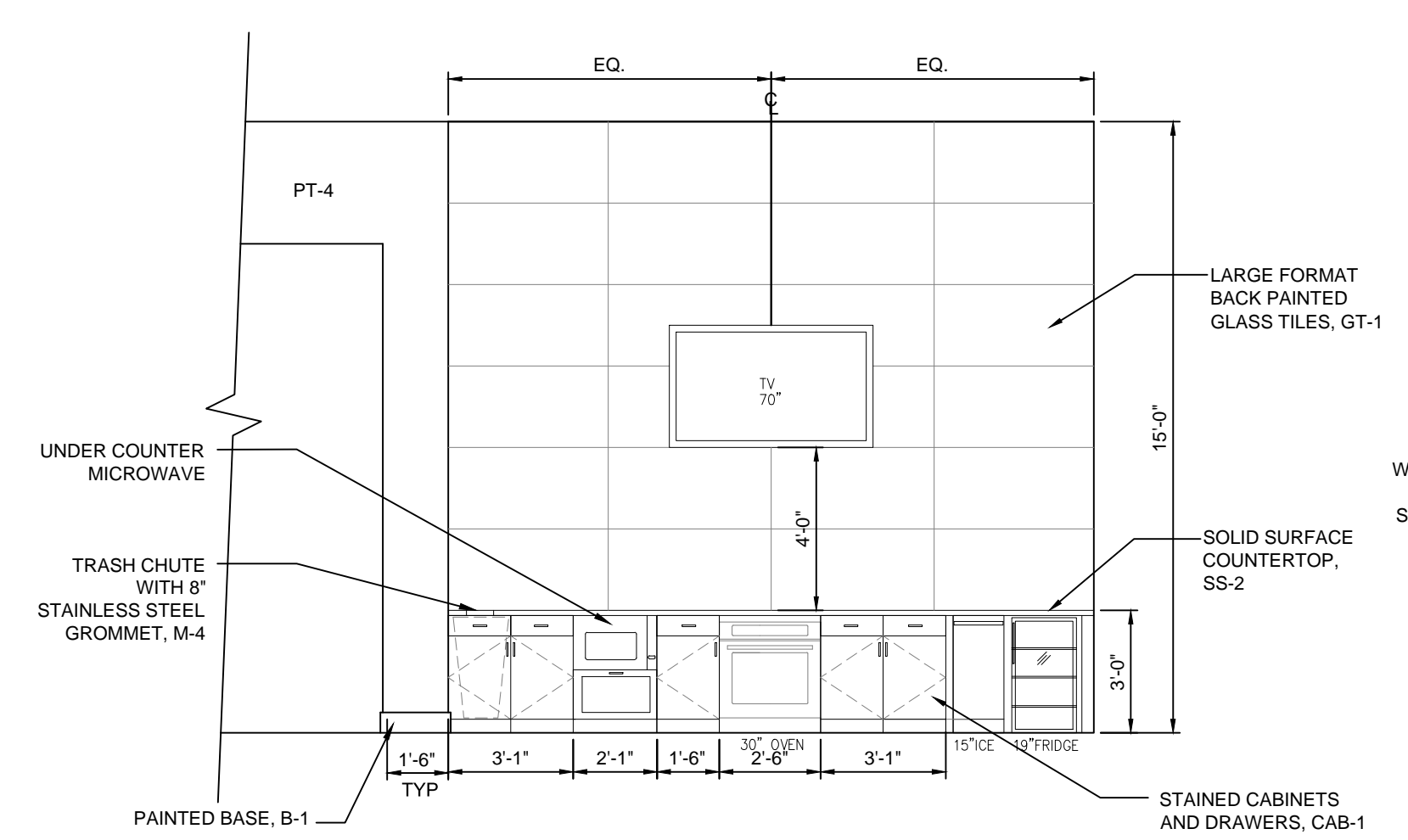
6 KITCHEN
Scale: 1/4" = 1'-0"



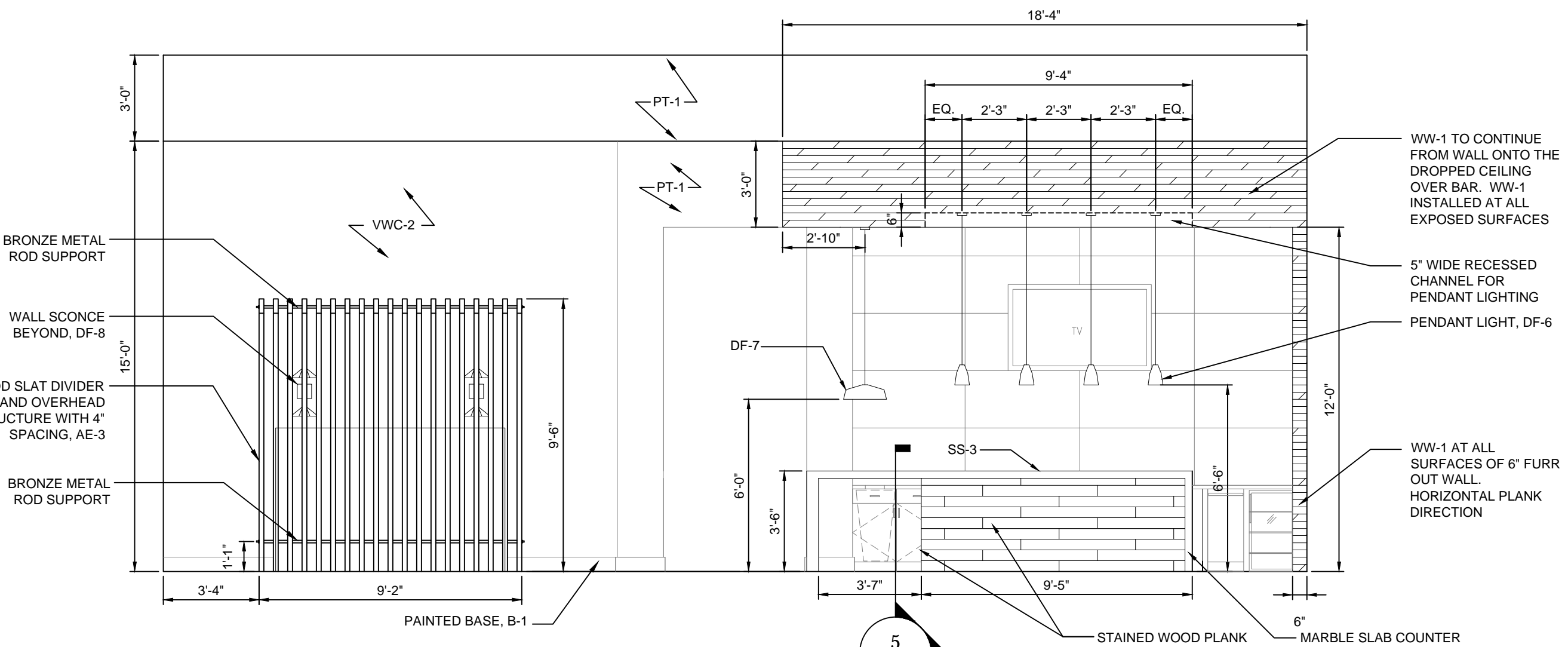
5 KITCHEN
Scale: 1/4" = 1'-0"



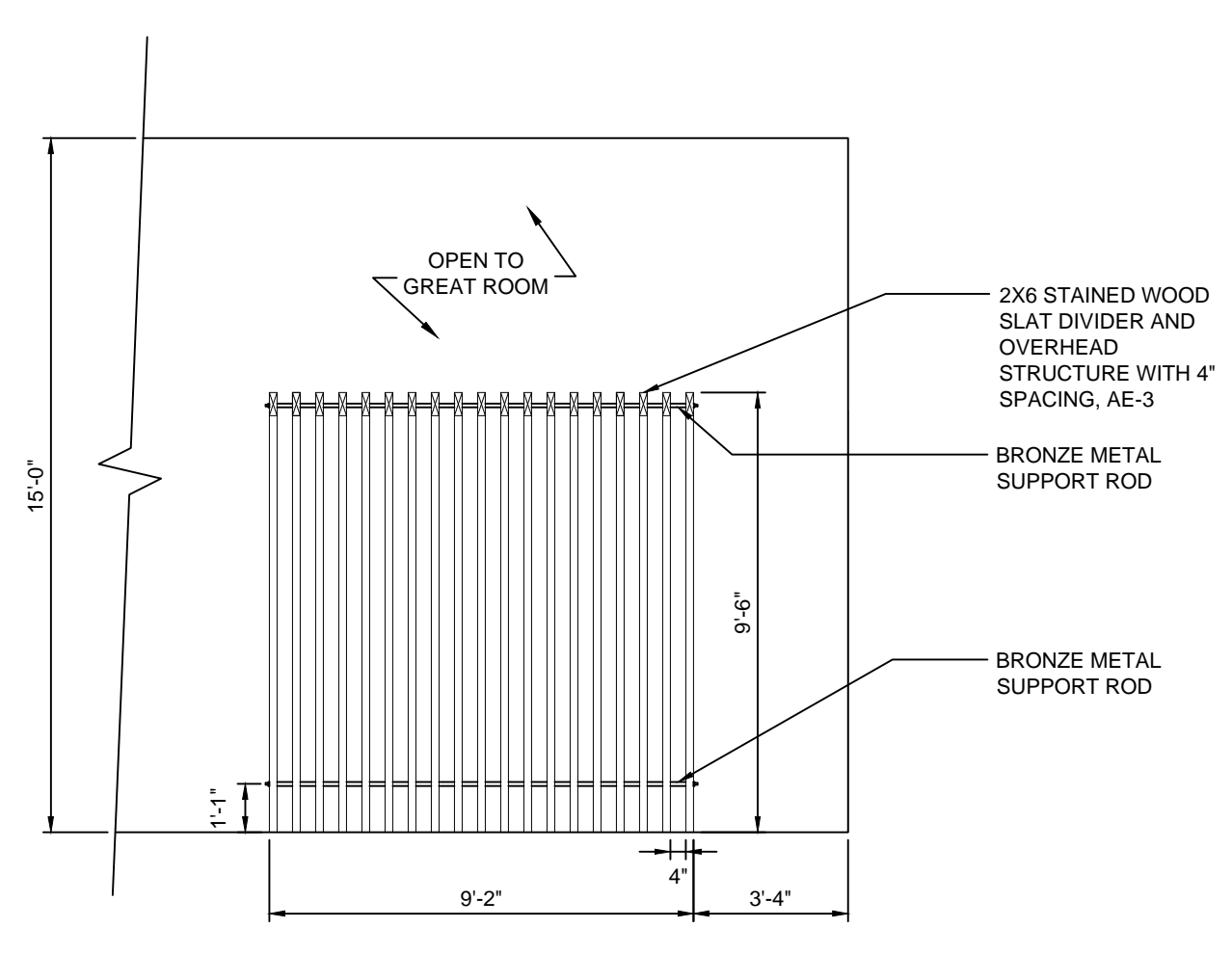
4 KITCHEN
Scale: 1/4" = 1'-0"



3 KITCHEN
Scale: 1/4" = 1'-0"



2 KITCHEN
Scale: 1/4" = 1'-0"



1 BOOTH AT KITCHEN
Scale: 1/4" = 1'-0"

5 ID4.3

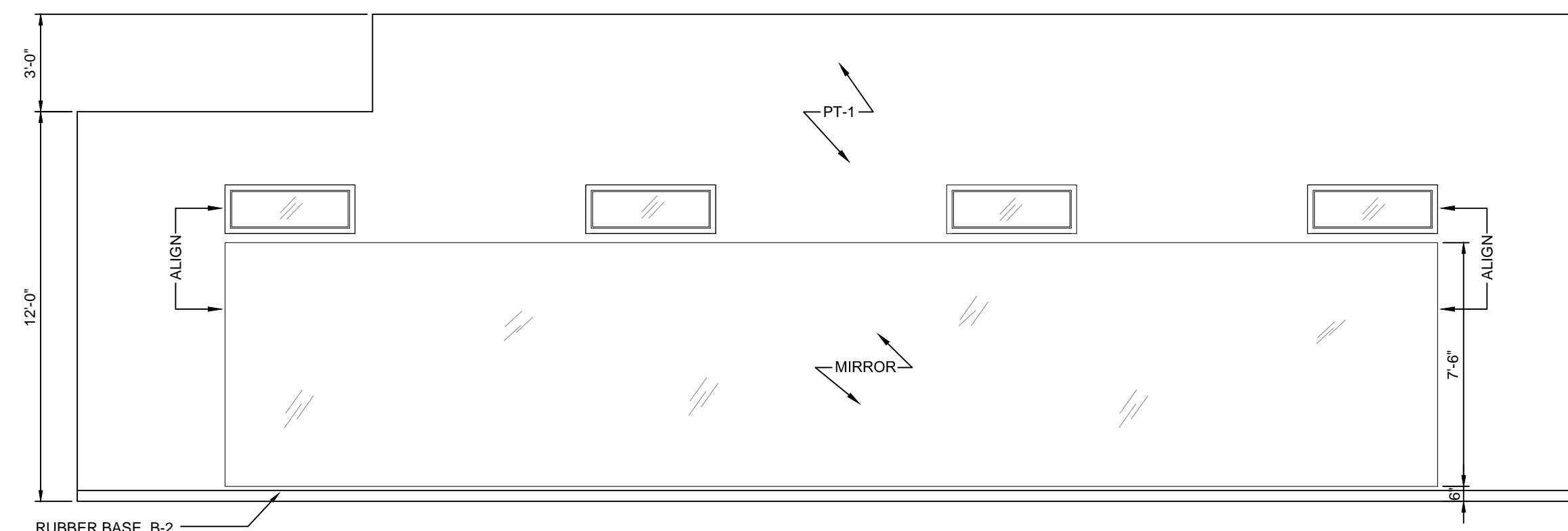
drawn by:
L. WIGGINS
checked by:
J. PAULSON

date:
08.01.2014

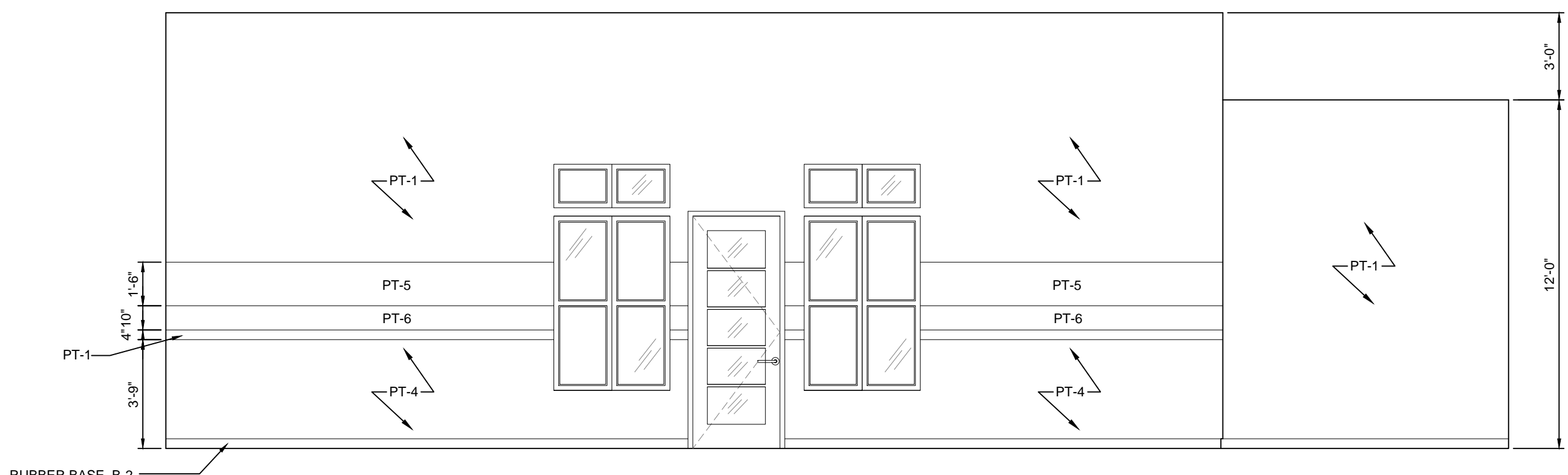
FOR:
ISSUE FOR
CONSTRUCTION

SCALE: 1/4" = 1'-0"

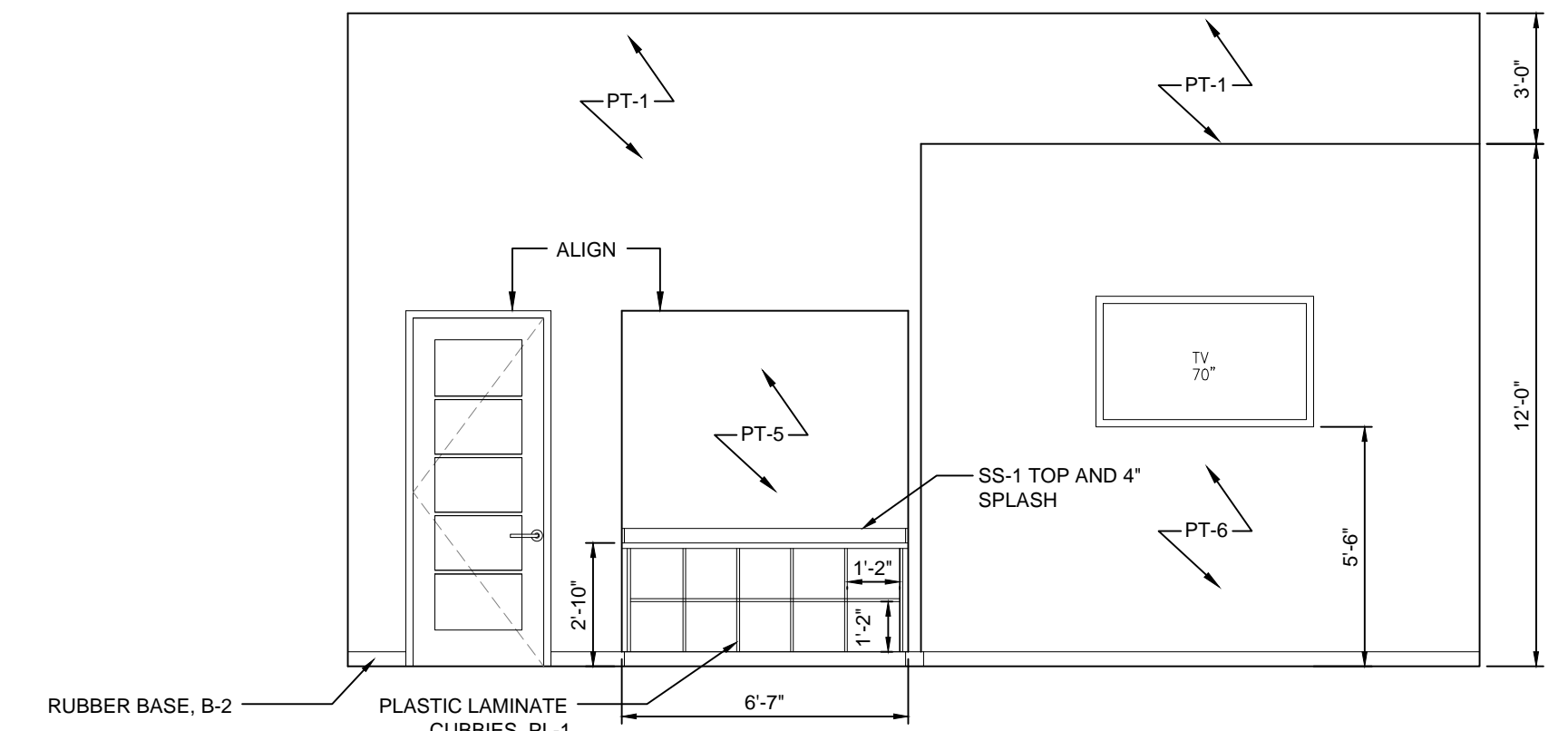
LANDMARK DOUBLE CREEK- PHASE II
1900 ONION CREEK PARKWAY
AUSTIN, TEXAS 78748



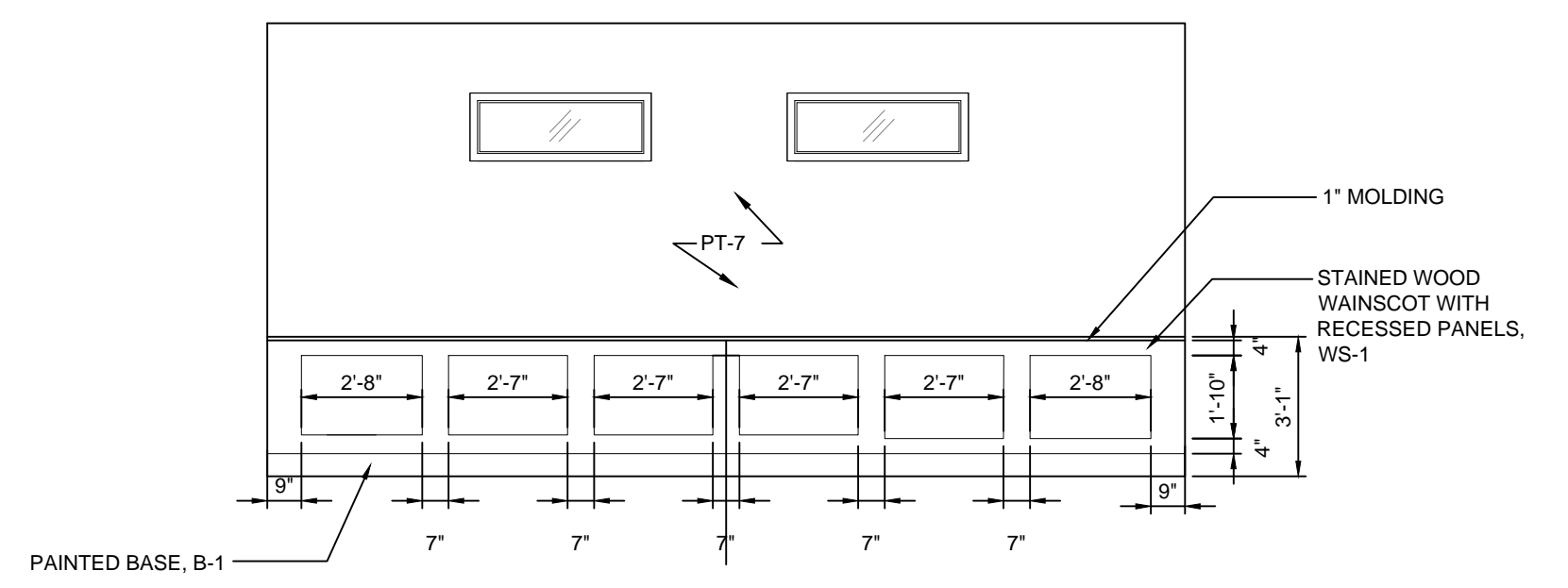
7 FITNESS
Scale: 1/4" = 1'-0"



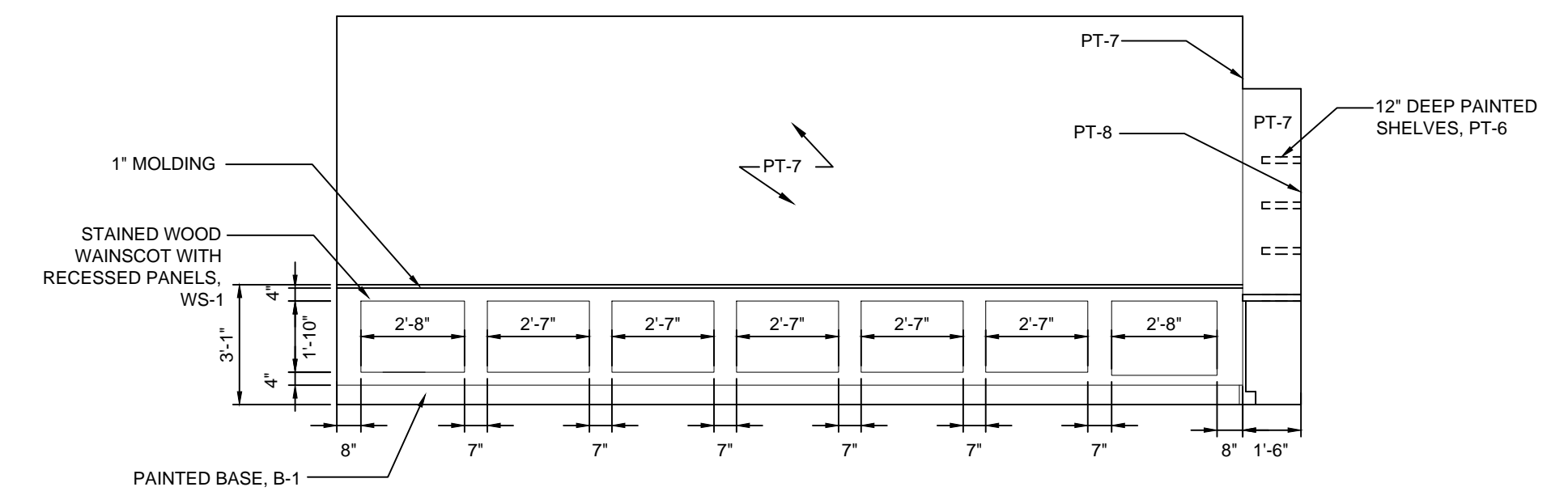
6 FITNESS
Scale: 1/4" = 1'-0"



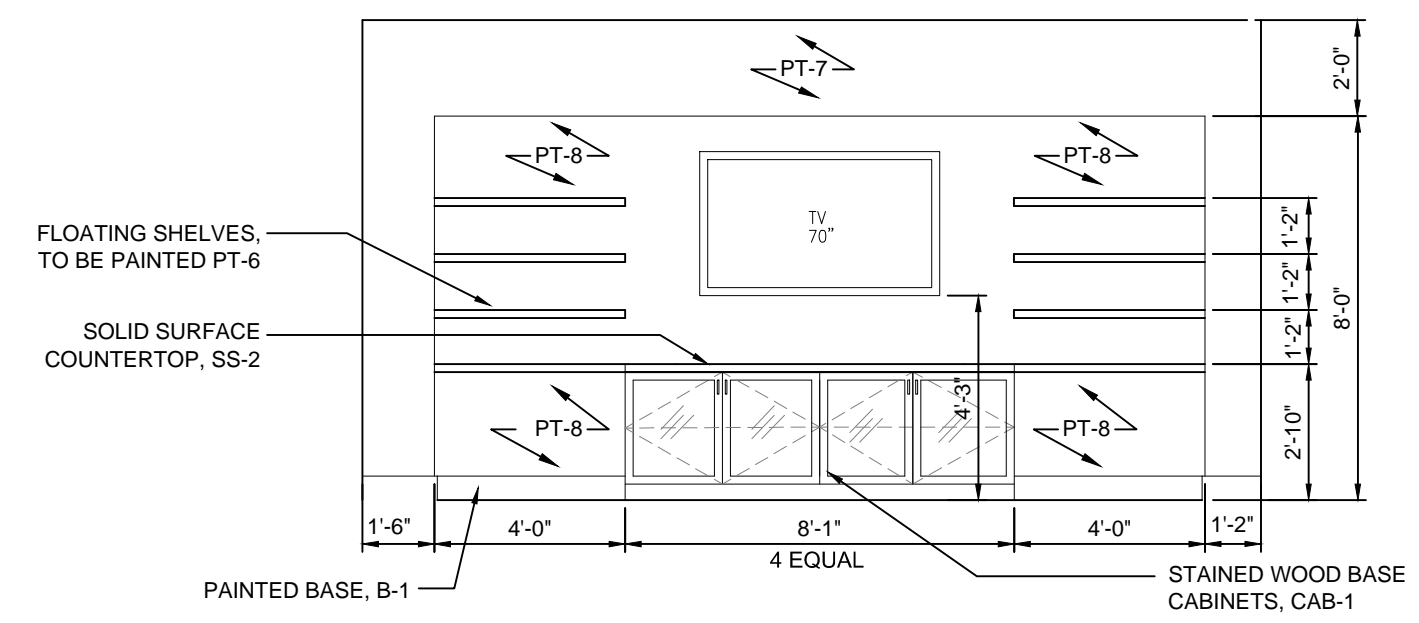
5 FITNESS
Scale: 1/4" = 1'-0"



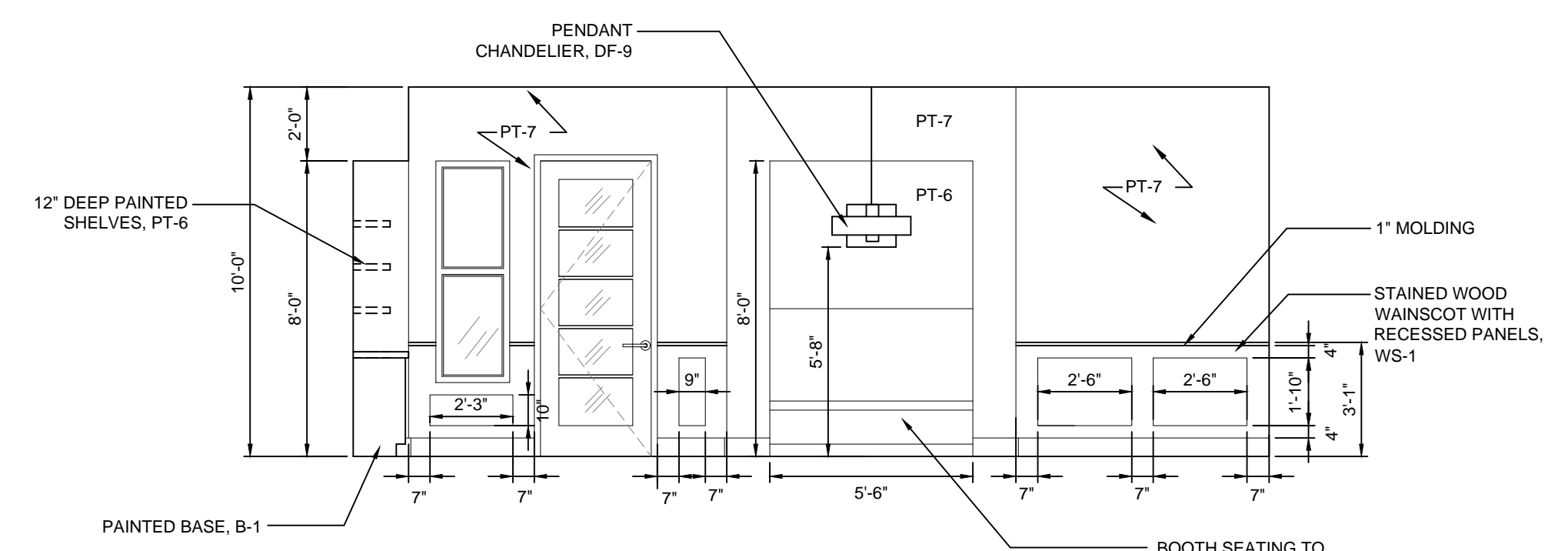
4 MEDIA/ GAME
Scale: 1/4" = 1'-0"



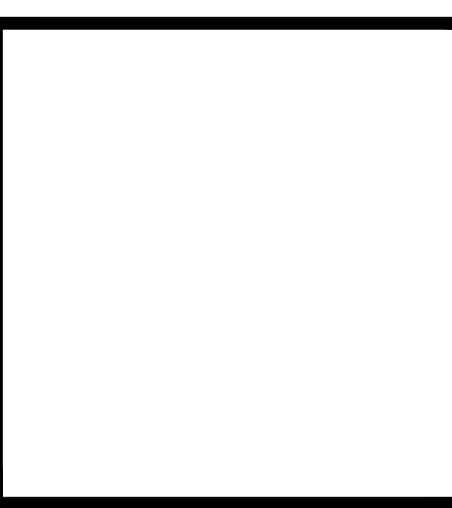
3 MEDIA/ GAME
Scale: 1/4" = 1'-0"



2 MEDIA/ GAME
Scale: 1/4" = 1'-0"



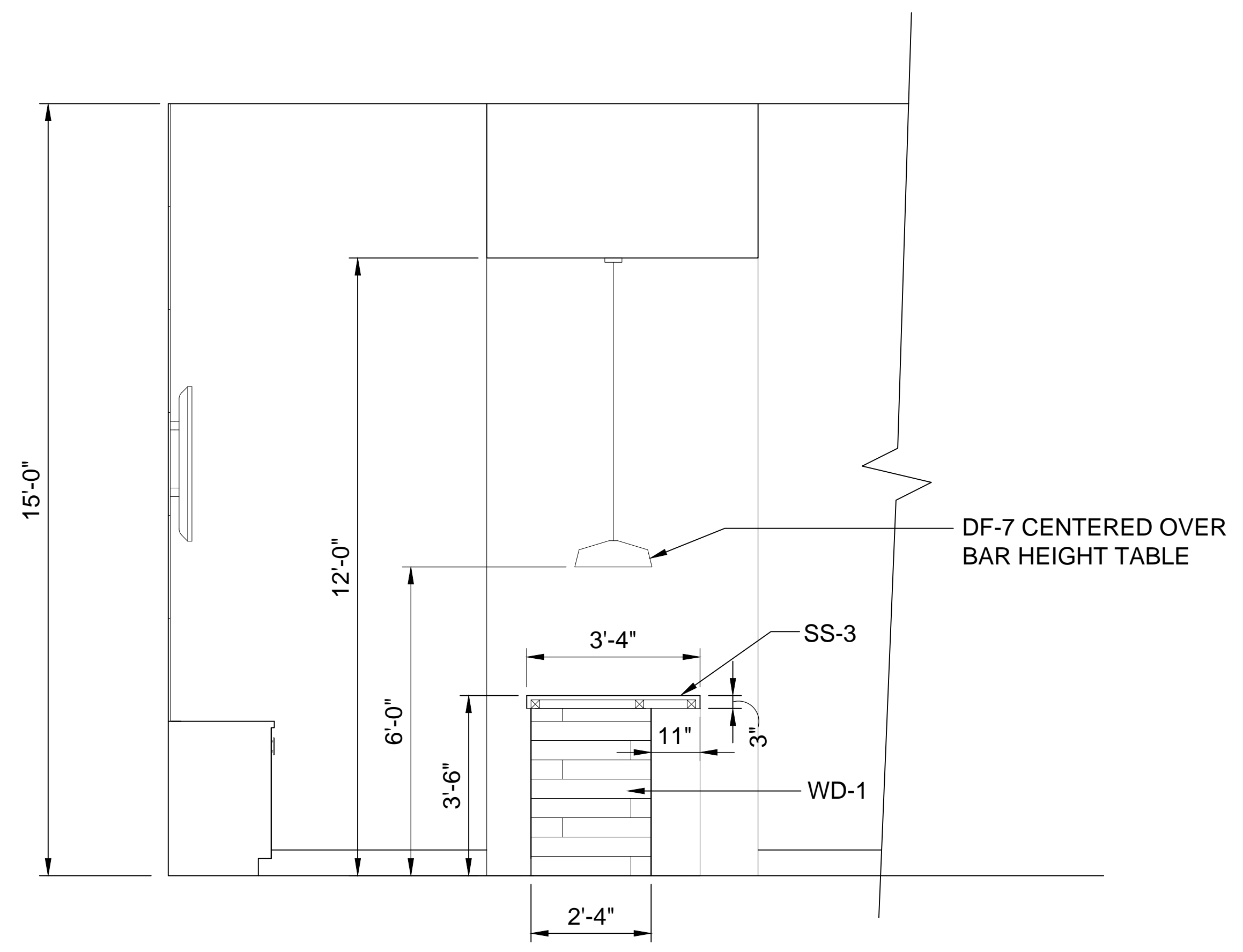
1 MEDIA/ GAME
Scale: 1/4" = 1'-0"



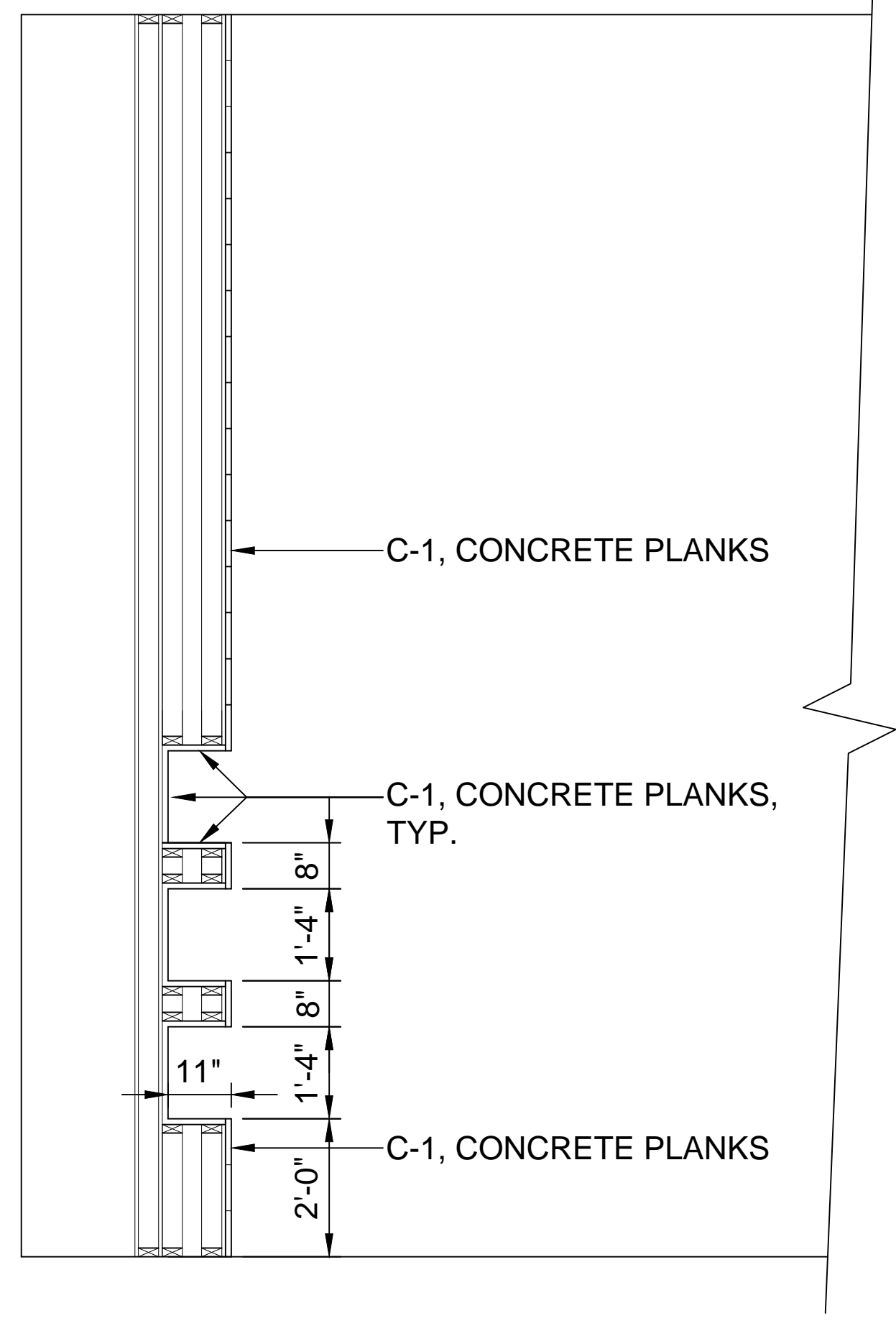
CLUBHOUSE
DETAILS

ID4.2

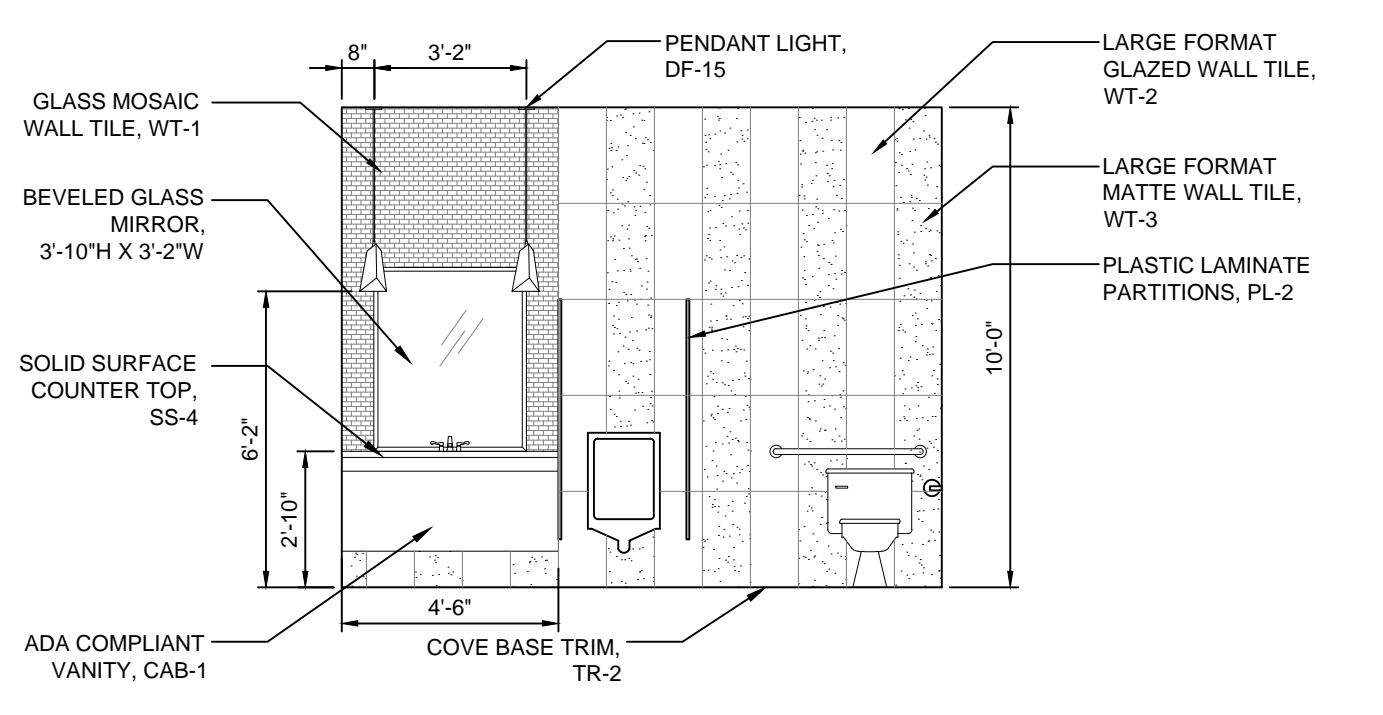
drawn by:
 L. WIGGINS
 checked by:
 J. PAULSON
 date:
 08.01.2014
 FOR:
 ISSUE FOR
 CONSTRUCTION
 SCALE: 1/4" = 1'-0"



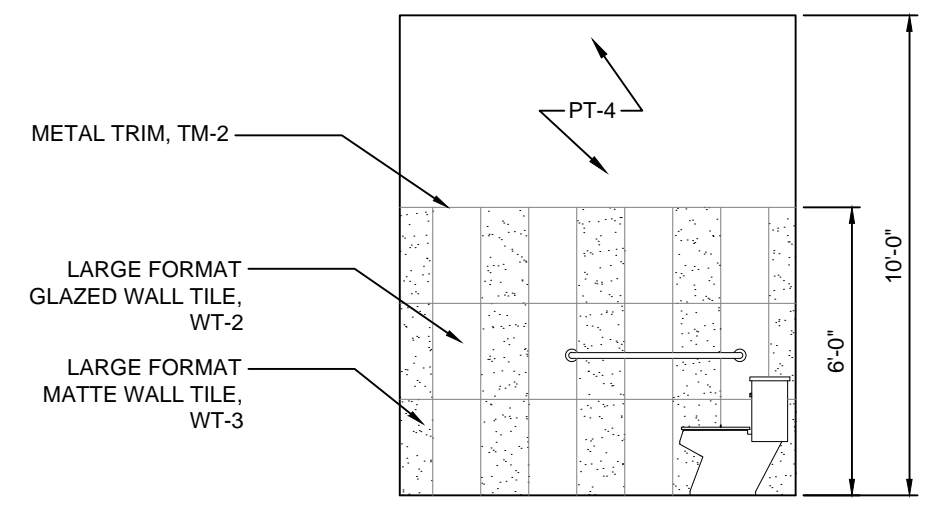
5 BAR HEIGHT TABLE AT KITCHEN
 Scale: 1/2" = 1'-0"



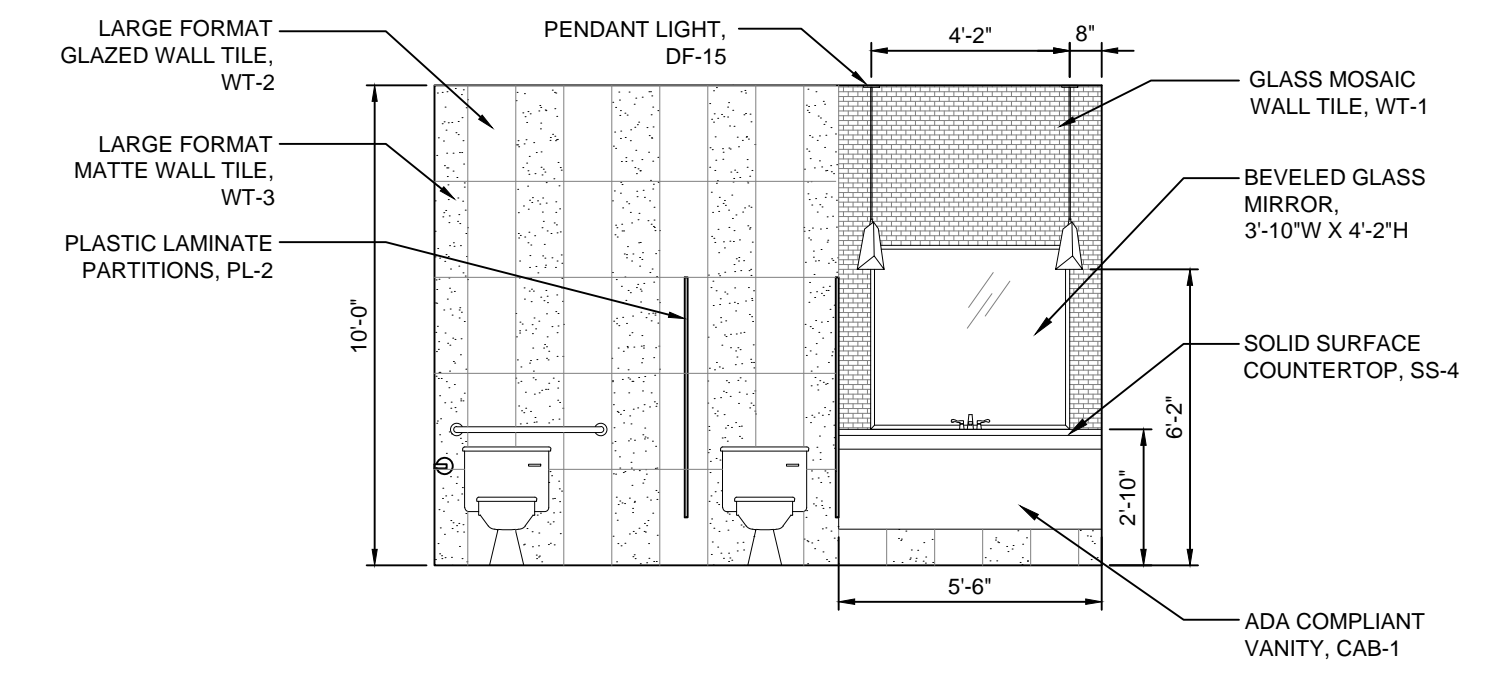
4 FIREPLACE CUBBIES- SECTION
 Scale: 1/2" = 1'-0"



3 MEN'S RESTROOM
 Scale: 1/4" = 1'-0"

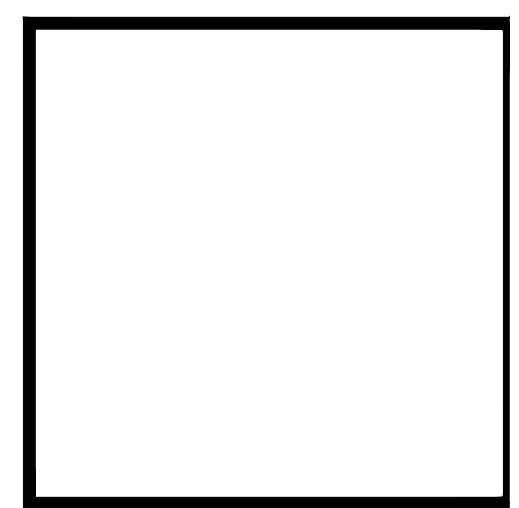


2 WOMEN'S RESTROOM
 Scale: 1/4" = 1'-0"



1 WOMEN'S RESTROOM
 Scale: 1/4" = 1'-0"

LANDMARK DOUBLE CREEK- PHASE II
 1900 ONION CREEK PARKWAY
 AUSTIN, TEXAS 78748



CLUBHOUSE
 DETAILS
 ID4.3