

JES# 2014009266

MAINS		
SIZE	LENGTH	MATERIAL
2"	2570	P.E.
4"	706	P.E.

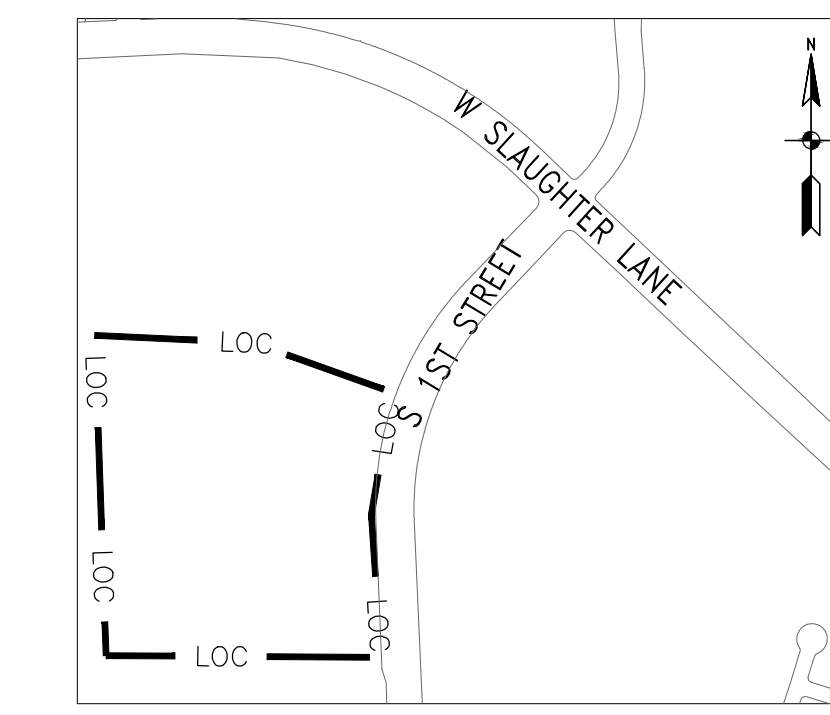
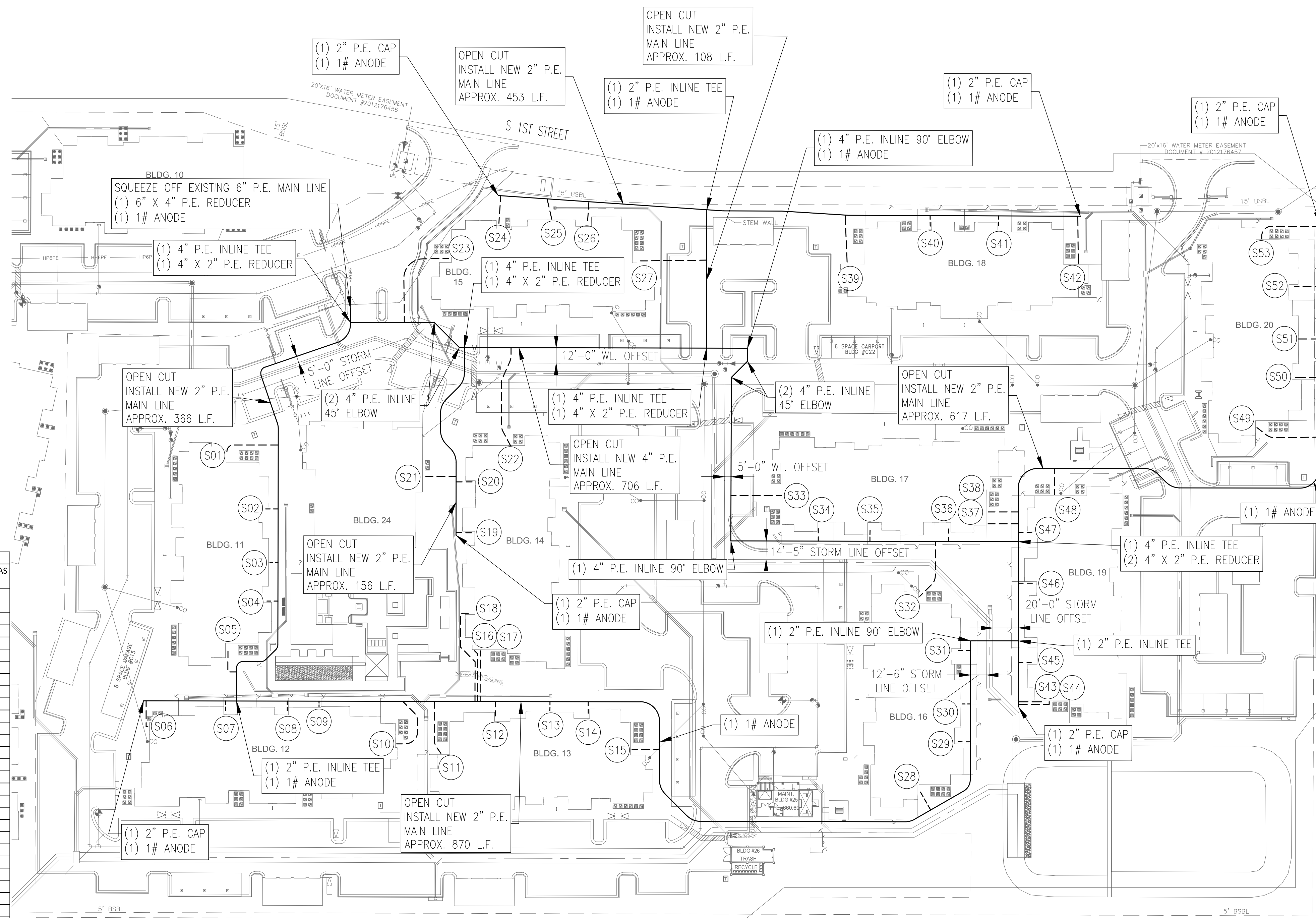
SERVICES		
SIZE	LENGTH	MATERIAL
1 1/4"	1309	P.E.

FITTINGS		
QUANTITY	SIZE	TYPE
4	4"	P.E. INLINE TEE
5	4" X 2"	P.E. REDUCER
1	6" X 4"	P.E. REDUCER
6	2"	P.E. CAP
4	4"	P.E. INLINE 45° ELBOW
1	2"	P.E. INLINE 90° ELBOW
3	2"	P.E. INLINE TEE
2	4"	P.E. INLINE 90° ELBOW
53	1 1/4"	RISER
7	4" X 1 1/4"	P.E. TAPPING TEE
46	2" X 1 1/4"	P.E. TAPPING TEE
53	1 1/4"	PLUG

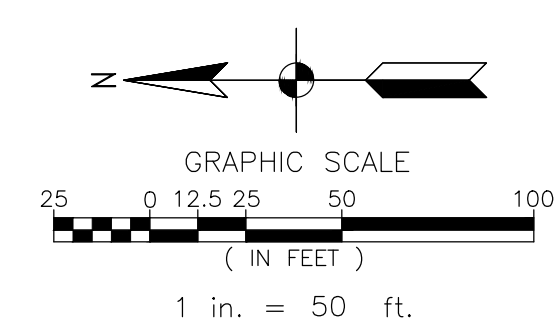
COMPONENTS	
QUANTITY	TYPE
12	1# ANODE

SERVICE SCHEDULE											
SERVICE NO.	BUILDING NO.	UNIT	SIZE	LENGTH	TYPE	APARTMENT NO.					NO. of GAS METERS
01	11	11A	1 1/4"	44	P.E.	1110, 1120, 1130, 1112, 1122, 1132					6
02	11	11B	1 1/4"	10	P.E.	1111, 1121, 1131					3
03	11	11C	1 1/4"	7	P.E.	1113, 1123, 1133, 1114, 1124, 1134					6
04	11	11D	1 1/4"	9	P.E.	1115, 1125, 1135					3
05	11	11E	1 1/4"	23	P.E.	1116, 1126, 1136, 1117, 1127, 1137, 1118, 1128, 1138					9
06	12	12A	1 1/4"	22	P.E.	1210, 1220, 1230, 1211, 1221, 1231, 1212, 1222, 1232					9
07	12	12B	1 1/4"	8	P.E.	1214, 1224, 1234, 1233					4
08	12	12C	1 1/4"	8	P.E.	1213, 1223, 1225, 1235					4
09	12	12D	1 1/4"	5	P.E.	1215, 1217, 1227, 1237					4
10	12	12E	1 1/4"	50	P.E.	1216, 1226, 1236, 1218, 1228, 1238, 1219, 1229, 1239					9
11	13	13A	1 1/4"	42	P.E.	1310, 1320, 1330, 1312, 1322, 1332					6
12	13	13B	1 1/4"	12	P.E.	1311, 1321, 1331					3
13	13	13C	1 1/4"	17	P.E.	1313, 1323, 1333, 1314, 1324, 1334					6
14	13	13D	1 1/4"	9	P.E.	1315, 1325, 1335					3
15	13	13E	1 1/4"	22	P.E.	1316, 1326, 1336, 1317, 1327, 1337, 1318, 1328, 1338					9
16	14	14A	1 1/4"	41	P.E.	1412, 1422					2
17	14	14A	1 1/4"	40	P.E.	1410, 1420, 1430, 1411, 1421, 1431, 1413, 1423, 1433, 1414, 1424, 1434					12
18	14	14C	1 1/4"	80	P.E.	1432, 1415, 1425, 1435					4
19	14	14D	1 1/4"	12	P.E.	1416, 1417, 1427, 1437					4
20	14	14E	1 1/4"	13	P.E.	1426, 1418, 1428, 1438					3
21	24	24	1 1/4"	24	P.E.	CLUBHOUSE					1
22	14	14F	1 1/4"	80	P.E.	1436, 1419, 1429, 1439					4
23	15	15A	1 1/4"	78	P.E.	1510, 1520, 1530, 1512, 1522, 1532, 1514, 1524, 1534					9
24	15	15B	1 1/4"	22	P.E.	1511, 1521, 1531					3
25	15	15C	1 1/4"	17	P.E.	1513, 1523, 1533, 1515, 1525, 1535					6
26	15	15D	1 1/4"	15	P.E.	1517, 1527, 1537					3
27	15	15E	1 1/4"	52	P.E.	1516, 1526, 1536, 1518, 1528, 1538					6
28	16	16A	1 1/4"	17	P.E.	1616, 1626, 1636, 1618, 1628, 1638					6
29	16	16B	1 1/4"	10	P.E.	1617, 1627, 1637					3
30	16	16C	1 1/4"	7	P.E.	1613, 1623, 1633, 1615, 1625, 1635					3
31	16	16D	1 1/4"	10	P.E.	1611, 1621, 1631					6
32	16	16A	1 1/4"	48	P.E.	1610, 1620, 1630, 1612, 1622, 1632, 1614, 1634, 1624					9
33	17	17A	1 1/4"	40	P.E.	1736, 1719, 1729, 1739					4
34	17	17B	1 1/4"	10	P.E.	1726, 1718, 1728, 1738					4
35	17	17D	1 1/4"	9	P.E.	1716, 1717, 1727, 1737					4
36	17	17C	1 1/4"	10	P.E.	1732, 1715, 1725, 1735					4
37	17	17B	1 1/4"	24	P.E.	1712, 1722					2
38	17	17A	1 1/4"	24	P.E.	1710, 1720, 1730, 1711, 1721, 1731, 1713, 1723, 1733, 1714, 1724, 1734					12
39	18	18A	1 1/4"	37	P.E.	1810, 1820, 1830, 1811, 1821, 1831, 1812, 1822, 1832, 1814, 1824, 1834					12
40	18	18B	1 1/4"	9	P.E.	1813, 1823, 1833					3
41	18	18C	1 1/4"	8	P.E.	1816, 1826, 1836					3
42	18	18D	1 1/4"	37	P.E.	1815, 1825, 1835, 1817, 1827, 1837, 1818, 1828, 1838, 1819, 1829, 1839					12
43	19	19B	1 1/4"	18	P.E.	1912, 1922					2
44	19	19A	1 1/4"	26	P.E.	1910, 1920, 1930, 1911, 1921, 1931, 1913, 1923, 1933, 1914, 1924, 1934					12
45	19	19C	1 1/4"	10	P.E.	1932, 1915, 1925, 1935					4
46	19	19D	1 1/4"	12	P.E.	1916, 1917, 1927, 1937					4
47	19	19E	1 1/4"	11	P.E.	1926, 1918, 1928, 1938					4
48	19	19F	1 1/4"	21	P.E.	1936, 1919, 1929, 1939					4
49	20	20E	1 1/4"	51	P.E.	2016, 2026, 2036, 2018, 2028, 2038					6
50	20	20D	1 1/4"	19	P.E.	2017, 2027, 2037					3
51	20	20C	1 1/4"	17	P.E.	2013, 2023, 2033, 2015, 2025, 2035					6
52	20	20B	1 1/4"	20	P.E.	2011, 2021, 2031					3
53	20	20A	1 1/4"	52	P.E.	2010, 2020, 2030, 2012, 2022, 2014, 2024, 2034, 2032					9

TOTAL SERVICES = 53



LOCATION MAP N.T.S.



LEGEND

- NEW GAS MAIN
- NEW SERVICE LINE
- TO BE ABANDONED
- LOC --- PROJECT LOCATION
- HP2PE --- EXIST. HIGH PRESSURE LINE
- LP2PE --- EXIST. LOW PRESSURE LINE
- ABAND --- ABANDONED GAS LINE
- --- EXIST. WATER LINE
- --- EXIST. WASTE WATER
- SS --- EXIST. STORM SEWER
- OE --- EXIST. OVERHEAD ELECTRIC
- UE --- EXIST. UNDERGROUND ELECTRIC
- OT --- EXIST. OVERHEAD TELEPHONE
- --- DENOTES MEDIUM CAPACITY EXCESS FLOW VALVE

- NOTES
- CONTRACTOR TO CONTACT T.G.S. ENG. DEPT. PRIOR TO CONSTRUCTION TO VERIFY ASSIGNMENTS OF MAINS & SERVICES WHEN APPLICABLE.
 - DETERMINATION OF GRADE FOR GAS MAINS AT STORM SEWER CROSSINGS TO BE DONE IN THE FIELD IN CONJUNCTION WITH PROFILE SHEETS WHEN APPLICABLE.
 - ALL SPOIL SHALL BE REMOVED FROM JOB SITE UPON COMPLETION OF GAS LINE INSTALLATION.
 - #14 COPPER TRACER WIRE TO BE PLACED IN BOTTOM OF TRENCH PARALLEL TO MAINS & SERVICES. ALL WIRE JOINTS SHALL BE IN ACCORDANCE WITH T.G.S. STANDARDS. TRACER WIRE TO BE ONE CONTINUOUS UNIT.
 - MARKER TAPE TO BE INSTALLED 1 FOOT BELOW SUBGRADE & PARALLEL TO MAINS & SERVICES.
 - COMPACTION OF TRENCHES IN ALL ROADWAYS SHALL BE DONE IN ACCORDANCE WITH TEXAS GAS SERVICE STANDARDS.
 - CONTRACTOR IS RESPONSIBLE FOR FIELD LOCATION OF ALL UTILITIES PRIOR TO CONSTRUCTION. ANY DAMAGE TO EXISTING FACILITIES SHALL BE THE RESPONSIBILITY OF THE CONTRACTOR.
 - ANODE TO BE INSTALLED TO TRACER WIRE. TRACER WIRE WILL NOT BE TIED TO WRAPPED STEEL MAIN.
 - ALL RISERS MUST BE PROTECTED BY A 4" POLYETHYLENE SLEEVE WHICH IS 4' IN LENGTH. THE SLEEVES CAN BE PICKED UP AT TEXAS GAS SERVICE, 5613 AVE F, AUSTIN, T.G.S. WILL REMOVE THE SLEEVE AT THE TIME OF YARD LINE INSTALLATION.
 - ALL BORES WILL BE DIRECTIONAL UNLESS OTHERWISE SPECIFIED.

ISSUE FOR CONSTRUCTION

PIC CONTRACTOR INFORMATION:
MIKE PARSONS
DRY UTILITIES OF TEXAS, LLC
512-634-7140
dryutilitesoftexas@yahoo.com

AGE OF P.E. PIPE MUST BE LESS THAN 2 YEARS PRIOR TO INSTALLATION

DISTRIBUTION OF MAPS LIST	
<input type="checkbox"/> INSPECTOR-1	<input type="checkbox"/> PIPE TRACKING
<input type="checkbox"/> INSPECTOR-2	<input type="checkbox"/> CONTRACT
<input type="checkbox"/> CONTRACTOR	<input type="checkbox"/> FOLDER COPY
<input type="checkbox"/> AS BUILT	

EXCESS FLOW VALVE	
NOT INSTALLED REASON CODES	
<input type="checkbox"/> 1- MAIN PRESSURE LESS THAN 10 PSIG	<input type="checkbox"/> 4- MAIN HAS FOREIGN CONTAMINANTS
<input type="checkbox"/> 2- SERVICE TO COMMERCIAL BLDG.	<input type="checkbox"/> 5- EXCESS LOAD
<input type="checkbox"/> 3- MULTIPLE METERS/ 1 METER - MULTI DWELLING	

THE RAILROAD COMMISSION OF TEXAS IS RECORDING GAS SERVICE MAPS AND RECORDING CONTRACTORS ARE RESPONSIBLE FOR THE AS A RESULT OF THIS NEW CONSTRAINT, THE CONTRACTOR WILL BE REQUIRED TO DOCUMENT THE LOCATION OF ALL UTILITIES PRIOR TO PIPE INSTALLATION IN THIS SUBDIVISION.

REVISIONS

NO.	DATE	BY	DESCRIPTION

DATE: 12/8/14

DRAWN BY: J. SWADLOW

CHECKED BY: J. SWADLOW

SCALE: NOTED

SCALE: ORIGINAL

SCALE: DRAWING 2'-X-3'

SCALE: ORIGINAL 2'-X-3'

NOTE: THIS DRAWING IS THE PROPERTY OF TEXAS GAS SERVICE. IT IS TO BE USED FOR THE PURPOSES OF THIS PROJECT ONLY. IT IS NOT TO BE REPRODUCED OR TRANSMITTED IN ANY MANNER, NOR USED FOR ANY PURPOSE WHATSOEVER, EXCEPT BY THE CONTRACTOR FOR THE PROJECT AND FOR CONSTRUCTION UNLESS OTHERWISE SPECIFIED.

AUSTIN, TEXAS

Texas Gas Service
A Division of ONE Gas

MAIN EXTENSION AND SERVICES
715 W SLAUGHTER LANE - SOUTH PARK PHASE 2
AUSTIN, TX 78748

MAP GRID: F143/F144

MAFSCD PAGE NO.: 673R/673Q

REV. A

JES NO.: 2014009266