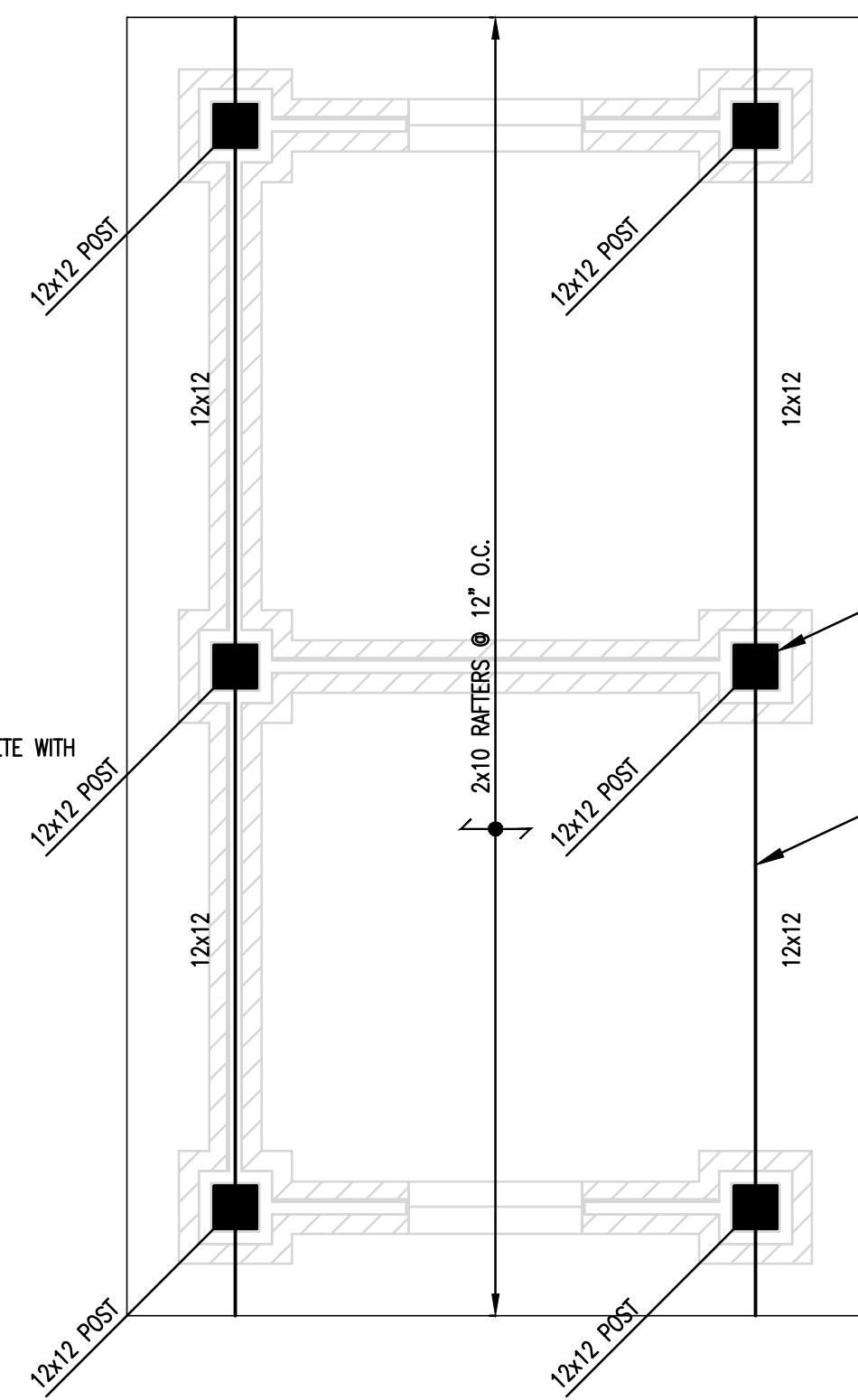
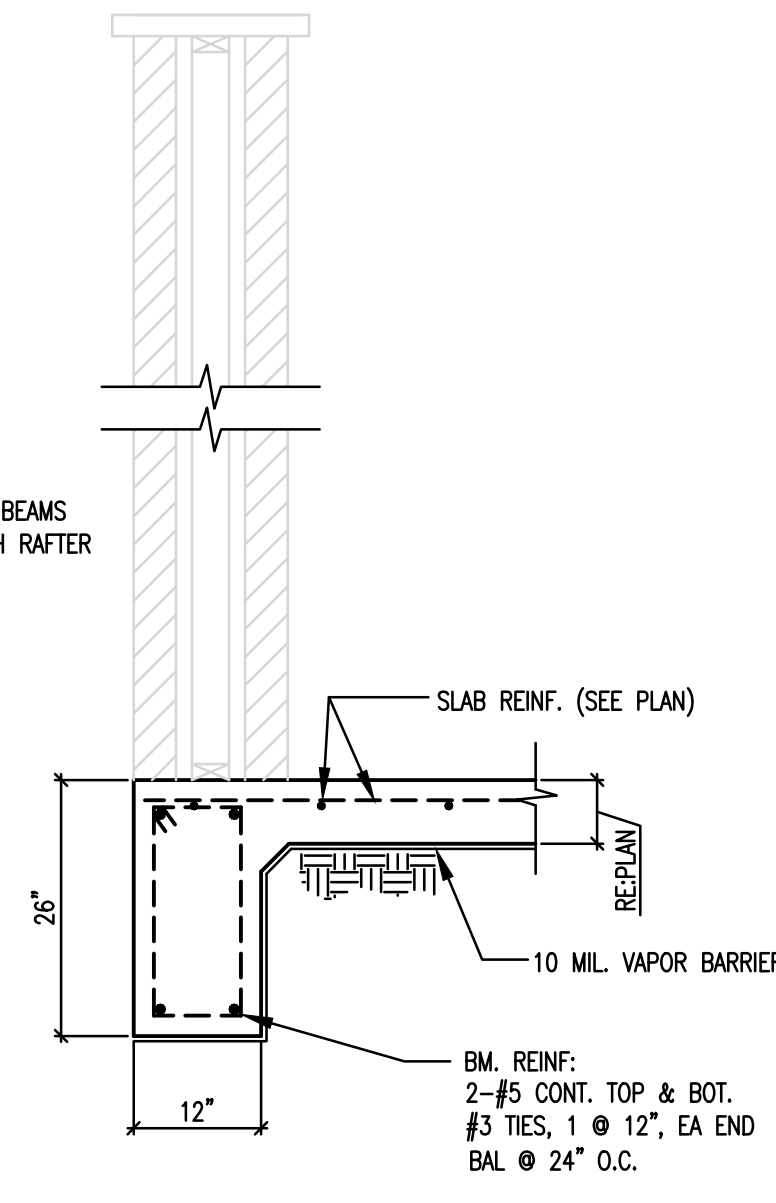


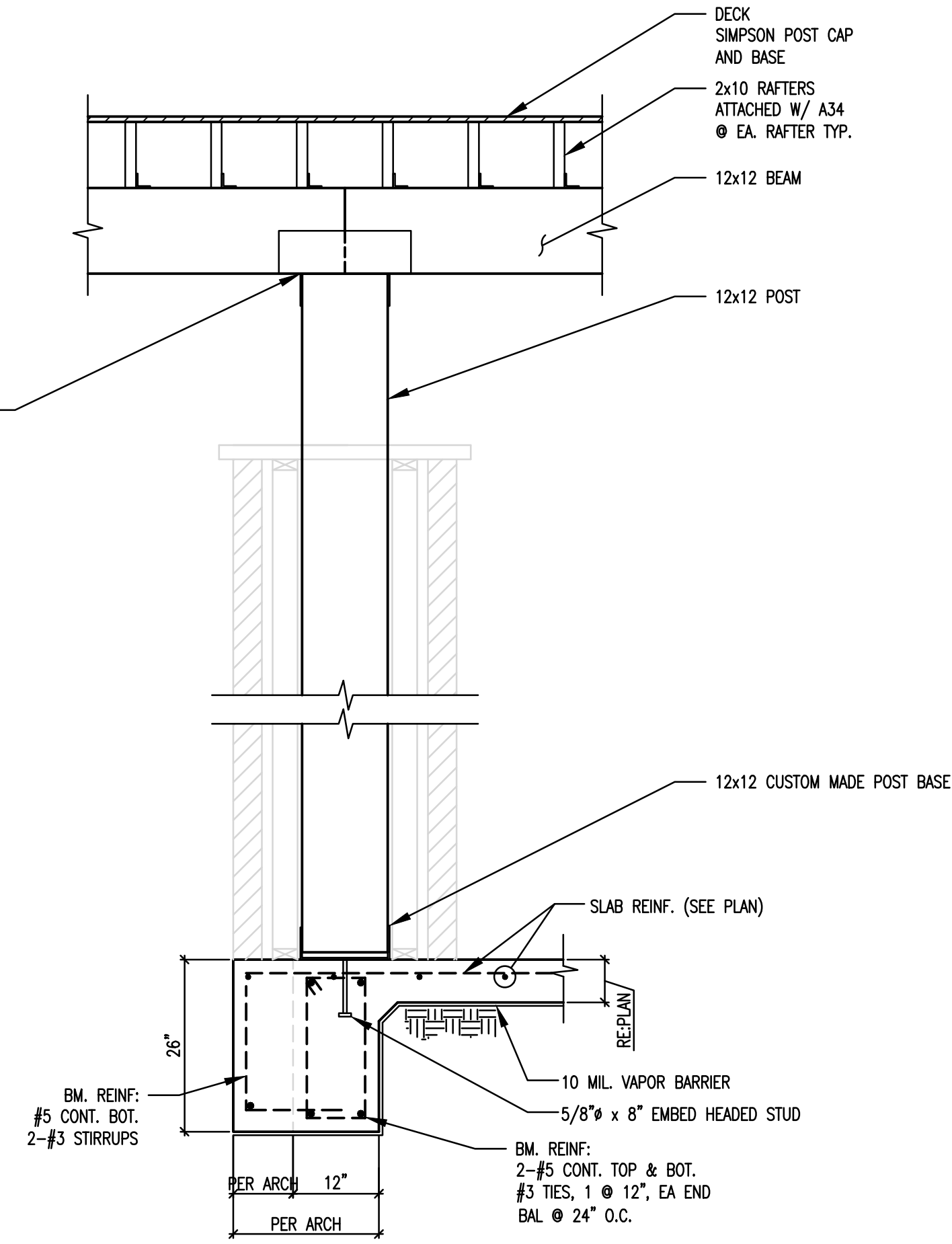
1 CABANA FOUNDATION PLAN  
SCALE: 1/4"=1'-0"



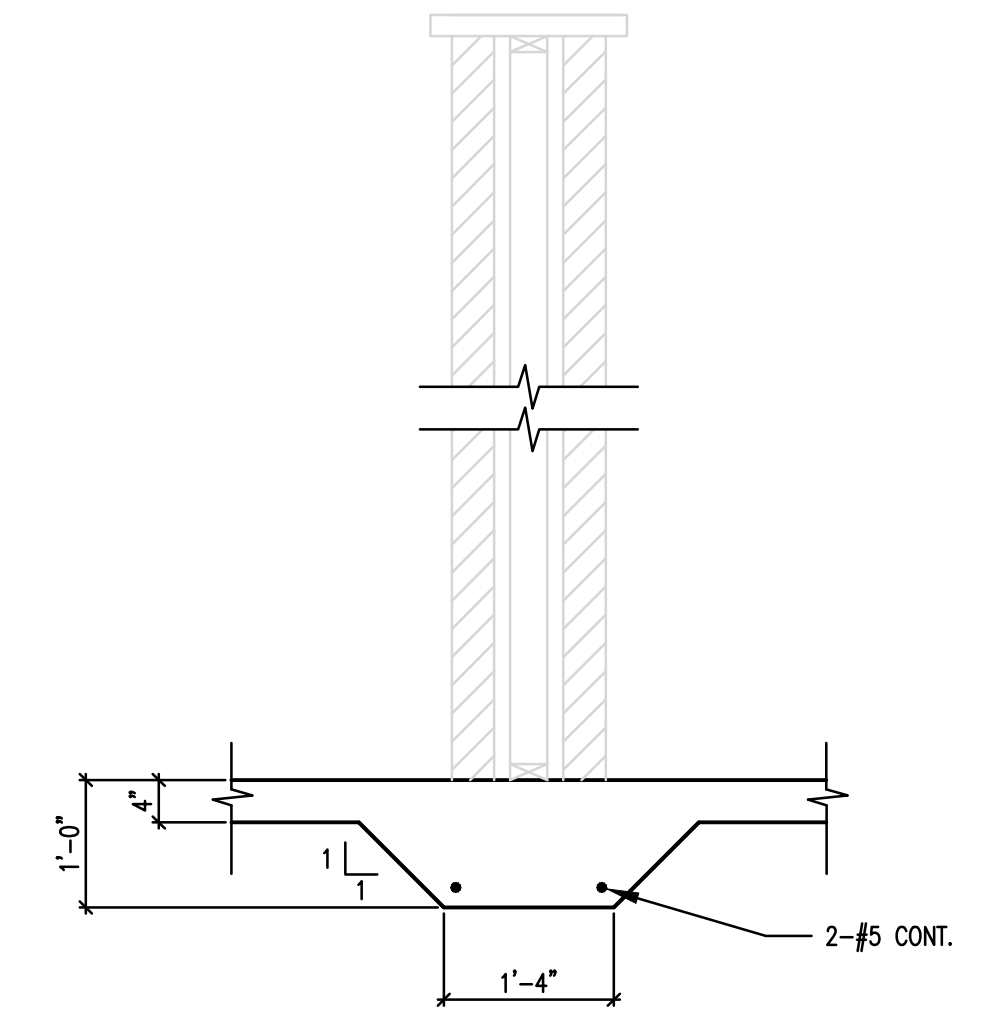
2 CABANA FRAMING PLAN  
SCALE: 1/4"=1'-0"



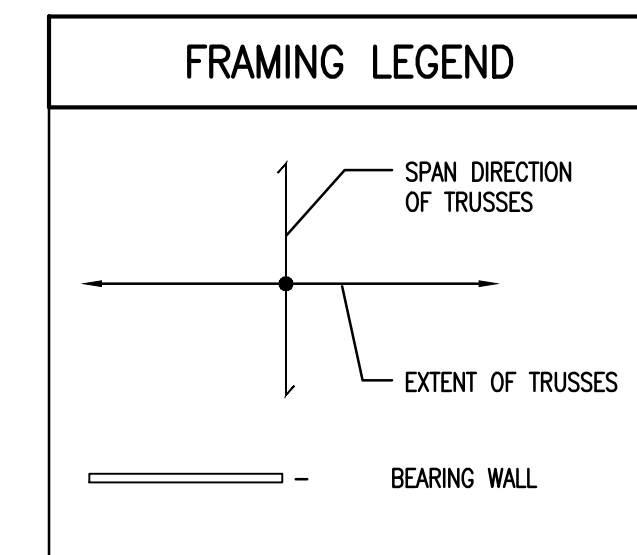
3 GRADE BEAM  
SCALE: N.T.S.



4 GRADE BEAM WITH EXTENSION  
SCALE: N.T.S.



5 THICKENED SLAB  
SCALE: N.T.S.



RE: SO-1, SO-3, SO-5 FOR  
FRAMING NOTES AND SCHEDULE

Drawn By: ET  
Checked By: ZA  
Drawing Scale: AS NOTED  
Project No. 1304-017

ISSUED FOR: DATE:  
 SD 30%  
 CD 60%  
 CD 95%  
 CD 100%  
 Pricing  
 Bidding  
 Permit  
 Construction 07/01/2015

STATE OF TEXAS  
**SANDEEP N. PATEL**  
 80656  
 LICENSED PROFESSIONAL ENGINEER  
 07-01-15  
 Texas Registered Engineering Firm  
 F-4163

THIS DRAWING IS PART OF A SET OF DRAWINGS FOR THIS PROJECT AND SHALL NOT BE CONSIDERED VALID UNLESS IT IS ACCOMPANIED BY THE COMPLETE SET OF DRAWINGS.  
 CONFIDENTIAL - TRADE SECRETS  
 THE INFORMATION DISCLOSED HEREIN IS PROPRIETARY WITH STERLING ENGINEERING GROUP OF COMPANIES USE AND SHOULD NOT BE USED, REPRODUCED OR DISCLOSED WITHOUT THE EXPRESS WRITTEN PERMISSION. THE INFORMATION HEREIN IS PART OF A PUBLIC BIDDING PROCESS MATTER.  
 UNAUTHORIZED USE OR COPYING OF THIS OR ANY CONTENTS HEREIN IS STRICTLY PROHIBITED.

SHEET NO.

**S9-1**