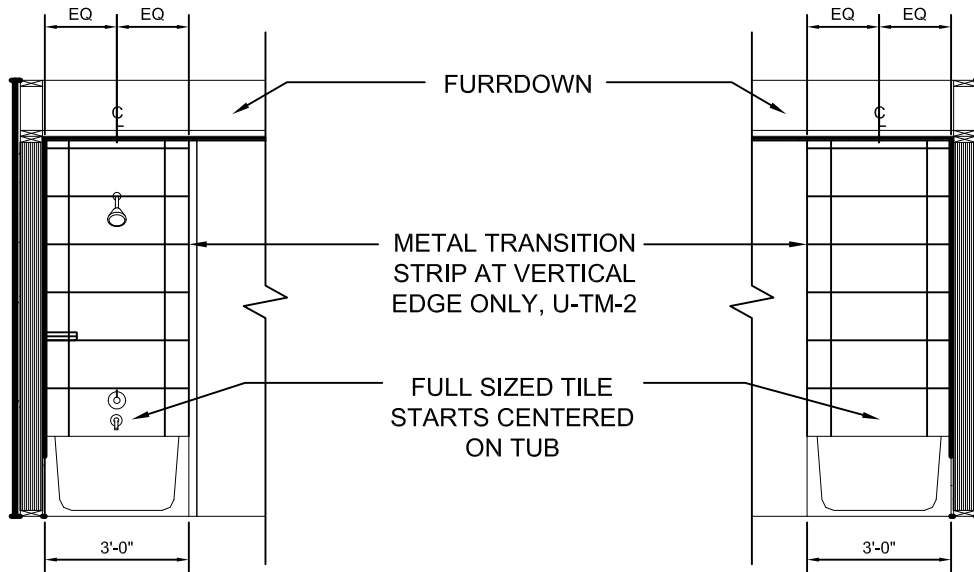
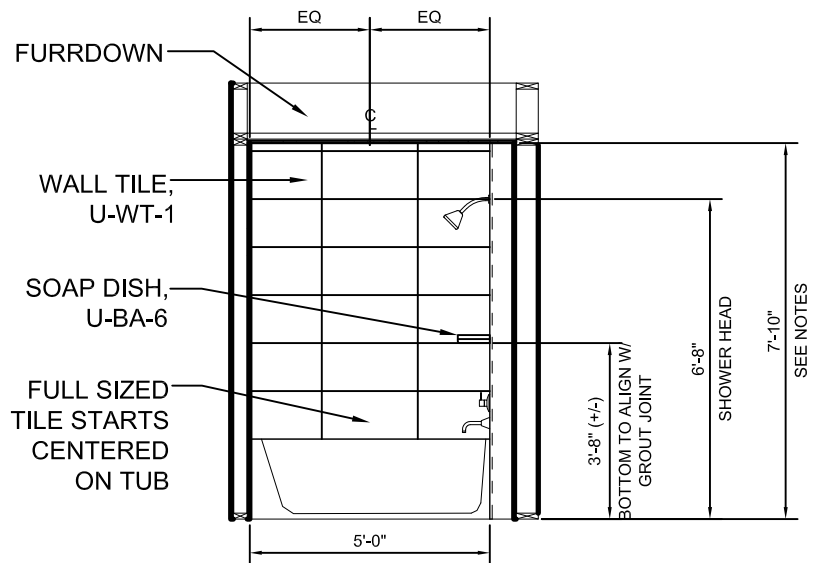


# KINGSLAND UNIT WALL TILE PATTERN



**3** TYP. TUB/SHOWER TILE PATTERN  
SCALE 1/4"=1'-0"

**2** TYP. TUB/SHOWER TILE PATTERN  
SCALE 1/4"=1'-0"

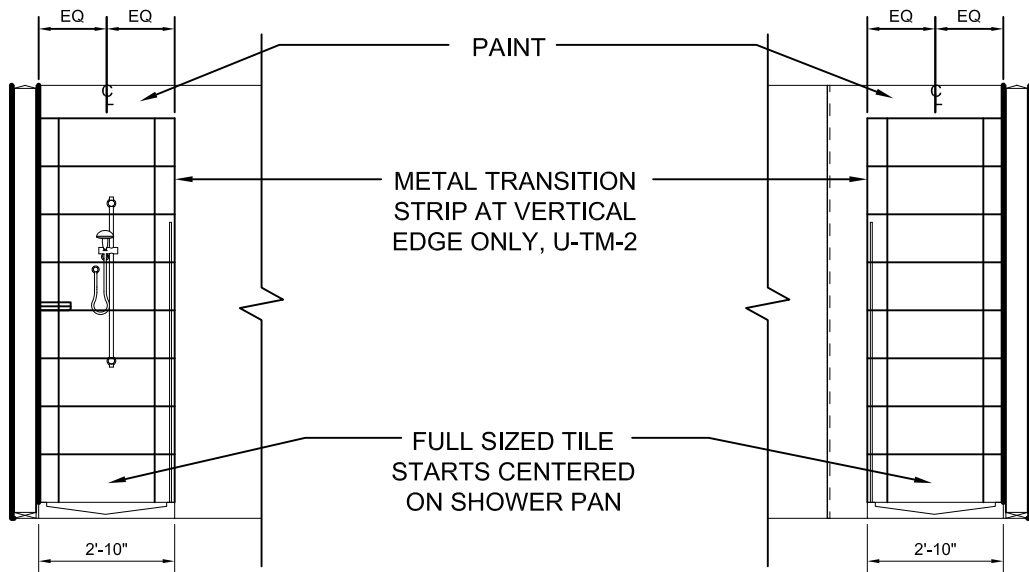


TYPICAL WALL TILE NOTES:

1. AT 7'-10" CEILING HEIGHT - WALL TILE IS TO TERMINATE AT CEILING
2. AT 9'-0" CEILING HEIGHT - WALL TILE IS TO TERMINATE WITH A COMPLETE TILE, APPROX. 8'-4" (+/-).

**1** TYP. TUB/SHOWER TILE PATTERN  
SCALE 1/4"=1'-0"

# KINGSLAND UNIT WALL TILE PATTERN

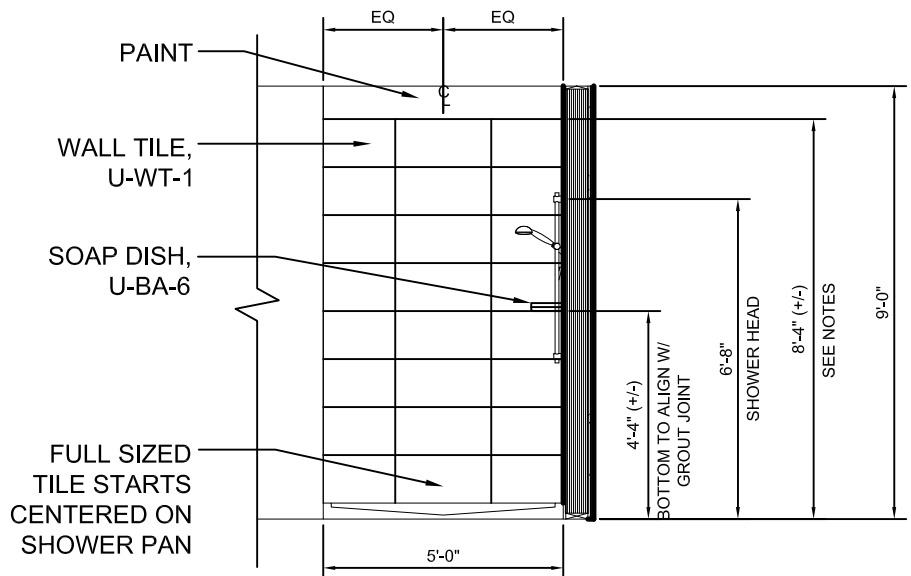


**3** TYP. SHOWER TILE PATTERN  
SCALE 1/4"=1'-0"

**2** TYP. SHOWER TILE PATTERN  
SCALE 1/4"=1'-0"

TYPICAL WALL TILE NOTES:

1. AT 7'-10" CEILING HEIGHT - WALL TILE IS TO TERMINATE AT CEILING
2. AT 9'-0" CEILING HEIGHT - WALL TILE IS TO TERMINATE WITH A COMPLETE TILE, APPROX. 8'-4" (+/-).



**1** TYP. SHOWER TILE PATTERN  
SCALE 1/4"=1'-0"